

## VCD 180 200 23 AC MA

### Features

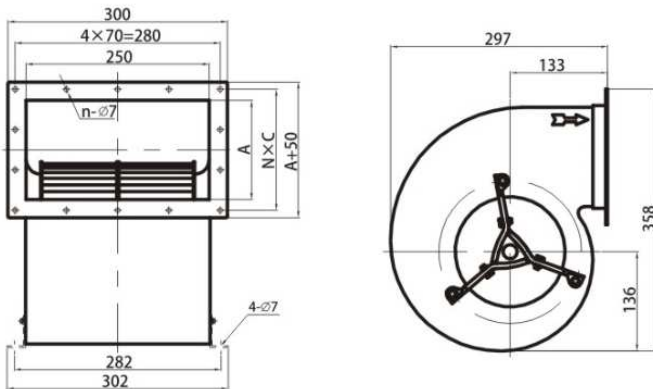
- Galvanized steel housing
- Galvanized steel wheel
- 4-pole motor
- Ambient temp.: -40 ~ +60 °C
- With capacitor: 8 µF
- Electrical insulation class: B

Model	Voltage VAC	Frequency Hz	Current A	Input power W	Speed RPM	Airflow m <sup>3</sup> /h	Static pressure Pa	Sound level dBA	Weight kg	A	B	C	N	n
VCD 180 200 23AC MA	220	50	1.5	310	1350	1900	0	66	11.2	135	180	82.5	2	12

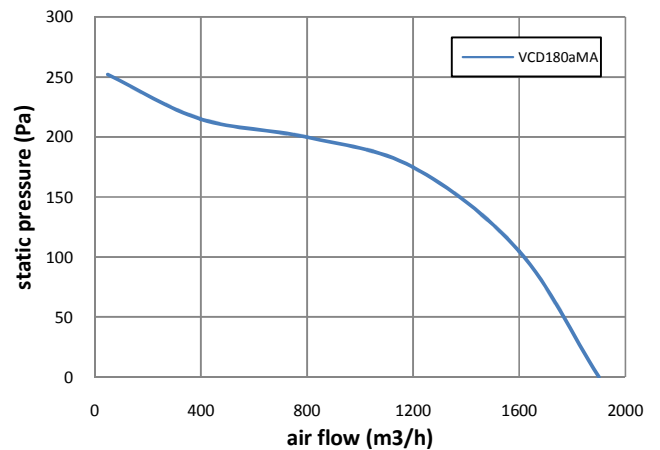
\*: above specifications are subject to change without prior notice

\*\*: for non-standard product, contact our sale's team at [info@ventus-sa.com](mailto:info@ventus-sa.com)

### Dimensions



### Performance



### Ordering Code:

Fan type	Double Inlet	Wheel Dimensions	Voltage		motor		-	Other specs*
			230VAC	23AC	2-pole	4-pole		
VC	D	180 200	23AC	-	MA	-	/O	

\*: if the ordered item is not standard fans offered on our website, always put "/O" at the end of the ordering code and specify the project number which is unique for any non-standard products. Sales team will provide this project number together with specs sheet confirmed by both parties.

Example: VCD 180200 23AC MA