



Technical Document

VCD 160202 AC2 B

PN: 455103

2019, Brussels

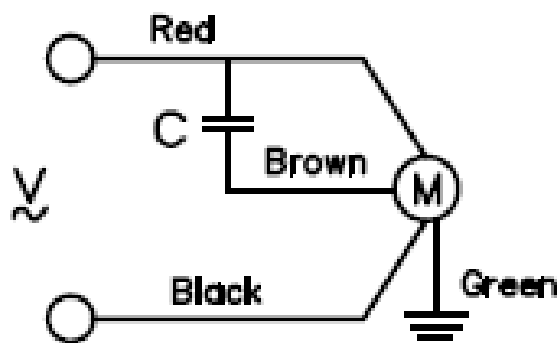


Features

Parameter	Units	Specifications
Dimensions	mm	240x227x223
Wheel diameter	mm	Φ160
Weight	kg	7.5
Phase	-	1
Power Supply	VAC	230
Frequency	Hz	50
Current	A	2.05
Power Input	W	470
Speed	RPM	2300
Max. Air Flow	m ³ /h	1200
Sound Level	dBA	83
Capacitor	μF	10/450V
Ambient Temp. Range	°C	0 ~ +60
Rotation	-	CW
Housing Material	-	Steel powder coated
Impeller Material	-	G.I. Zinc Plated
Insulation Class	-	F
Ingress Class	-	IP 44
Certifications	-	CE

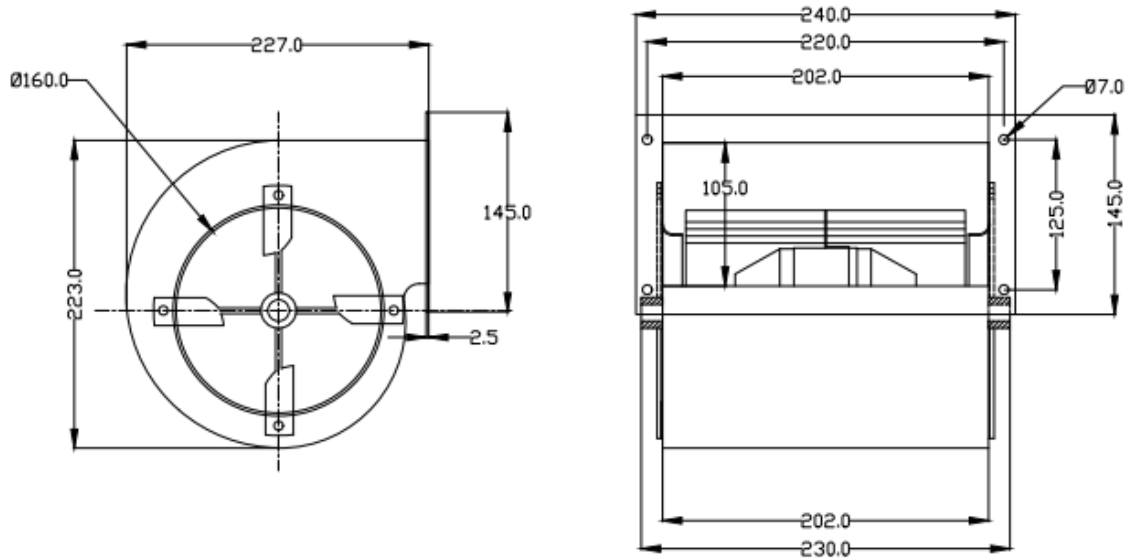
*: above specifications are subject to change without prior notice

Electrical Wiring Diagram

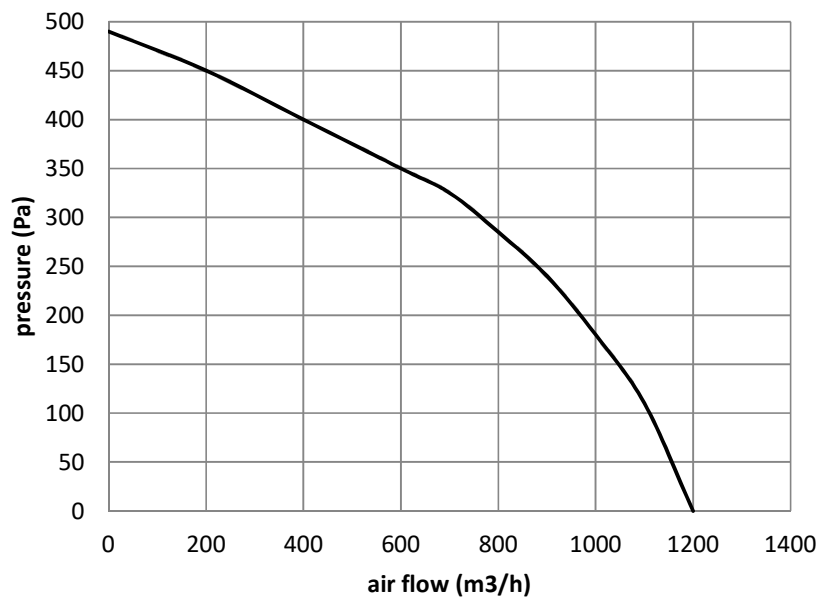




Dimensions



Performance



Ordering Code:

Model	Part Number	Description
VCD 160202AC2B	455103	Double inlet AC centrifugal blower of wheel dimension 160 mm, 2 pole motor

Air Moving Technologies Inc.
115 75th Street West. # 14339
Bradenton, Florida 34280
USA

www.ventus-sa.com
info@ventus-sa.com
Tel. & Fax : +32 2 479 3563

Office @ Brussels
Avenue Louise 226
1050 Brussels
Belgium