

Technical Document

VCD 146190 23 AC 41 MB

PN: 454101

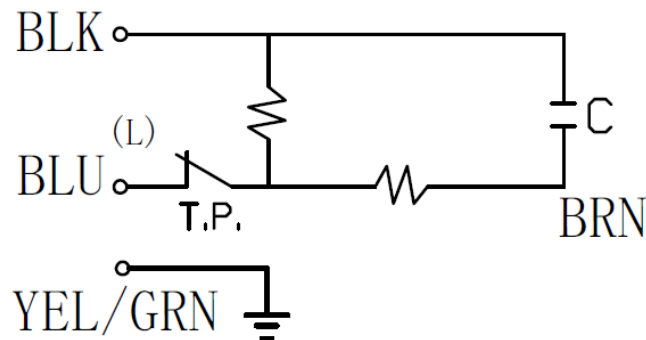
March 18 2015, Brussels

Features

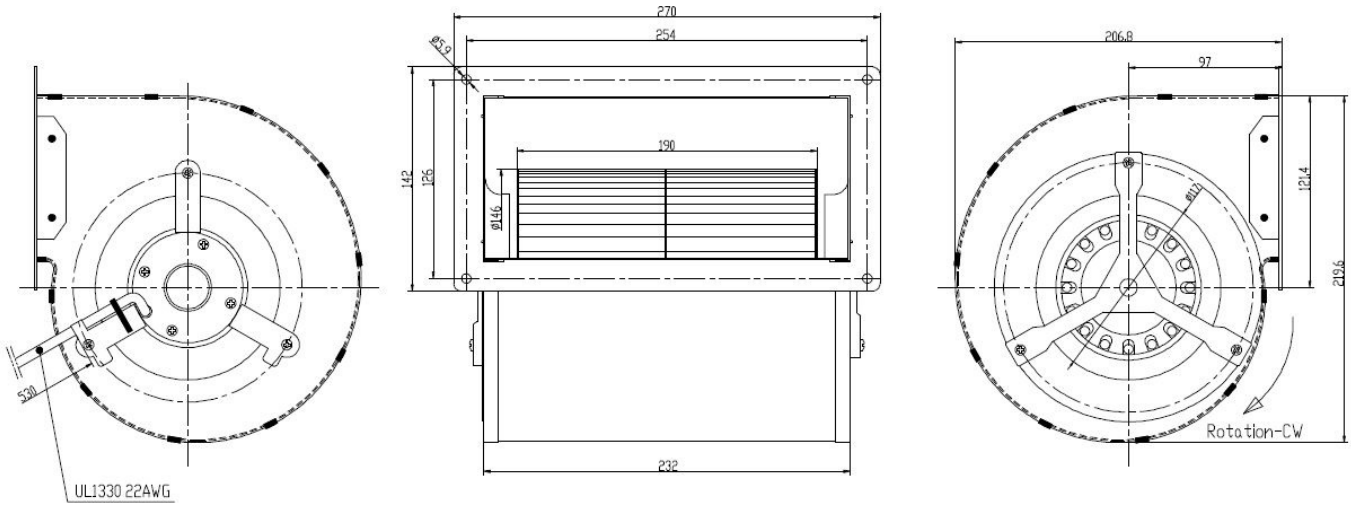
Parameter	Units	Specifications
Dimensions	mm	270x220x207
Wheel diameter	mm	Φ146
Weight	kg	4.7
Phase	-	1
Power Supply	VAC	230
Frequency	Hz	50
Power Input	W	315
Speed	RPM	2030
Max. Air Flow	m ³ /h	950
Back Pressure	Pa	200
Sound Level	dBA	63.5
Capacitor	μF	8/450V
Max. Ambient Temp.	°C	50
Rotation	-	CW
Housing Material	-	Sheet Steel, galvanized
Impeller Material	-	Sheet Steel, galvanized
Insulation Class	-	F
Certifications	-	CE

*: above specifications are subject to change without prior notice

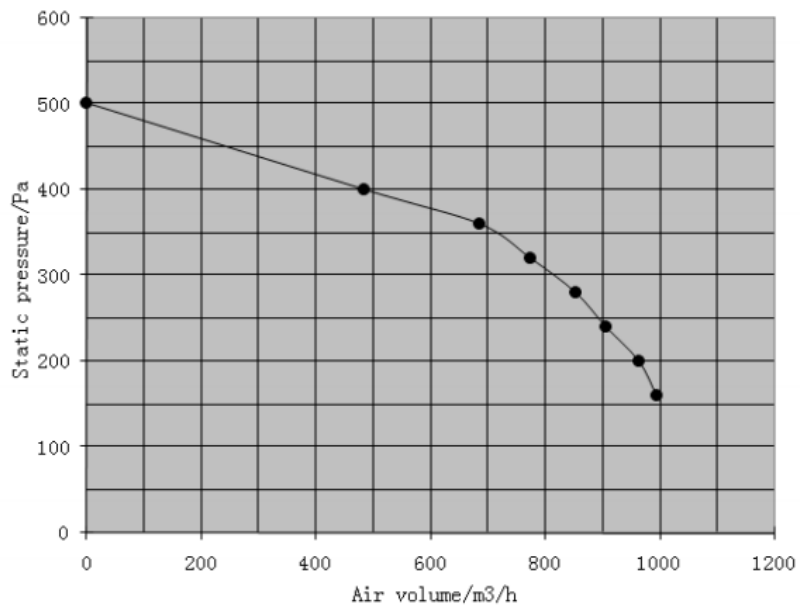
Electrical Wiring Diagram



Dimensions



Performance



Ordering Code:

Model	Part Number	Description
VCD 146190 23AC41MB	454101	Double inlet AC centrifugal blower of wheel dimension 146 mm