

VC12060ACER

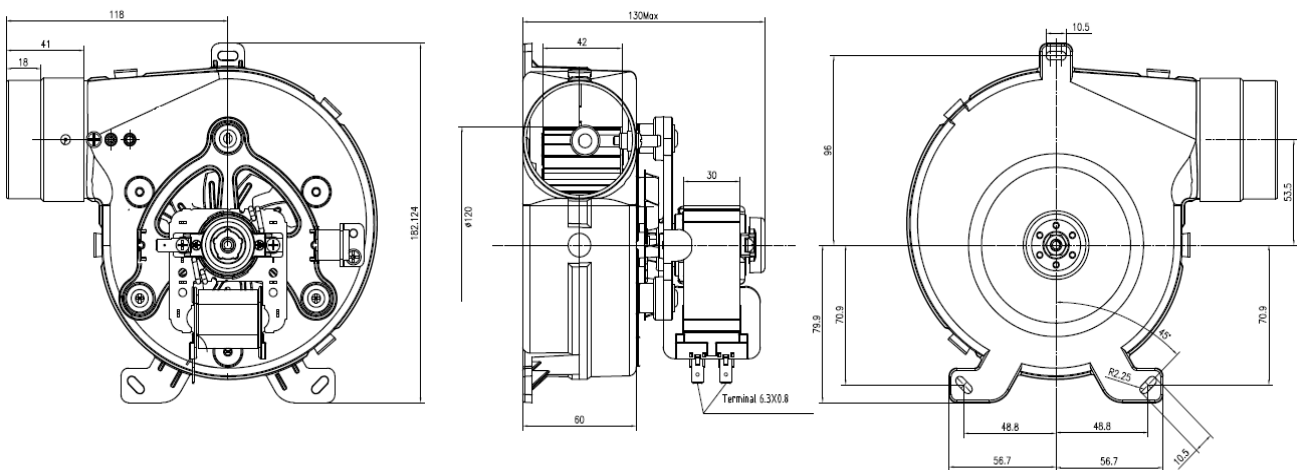
210x182x130 mm

Features

- power supply: 230 VAC
- frequency: 50 Hz
- current: 0.52 A
- input power: 56 W
- speed: 1750 RPM
- max. air flow: 128 m3/h
- max. static pressure: 305 Pa
- wheel material: aluminum alloy
- housing material: die casting aluminum
- rotation: CCW from wheel
- shaded-pole with two ball bearings
- insulation class: H



Dimensions



*: above specifications are subject to change without prior notice

** : for non-standard product, contact our sale's team at sales@ventus-sa.com