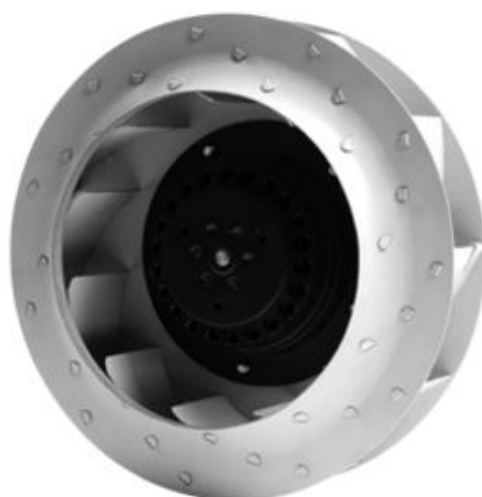


# Technical Document

## FBC 280103 23AC 25

**PN: 47B101**



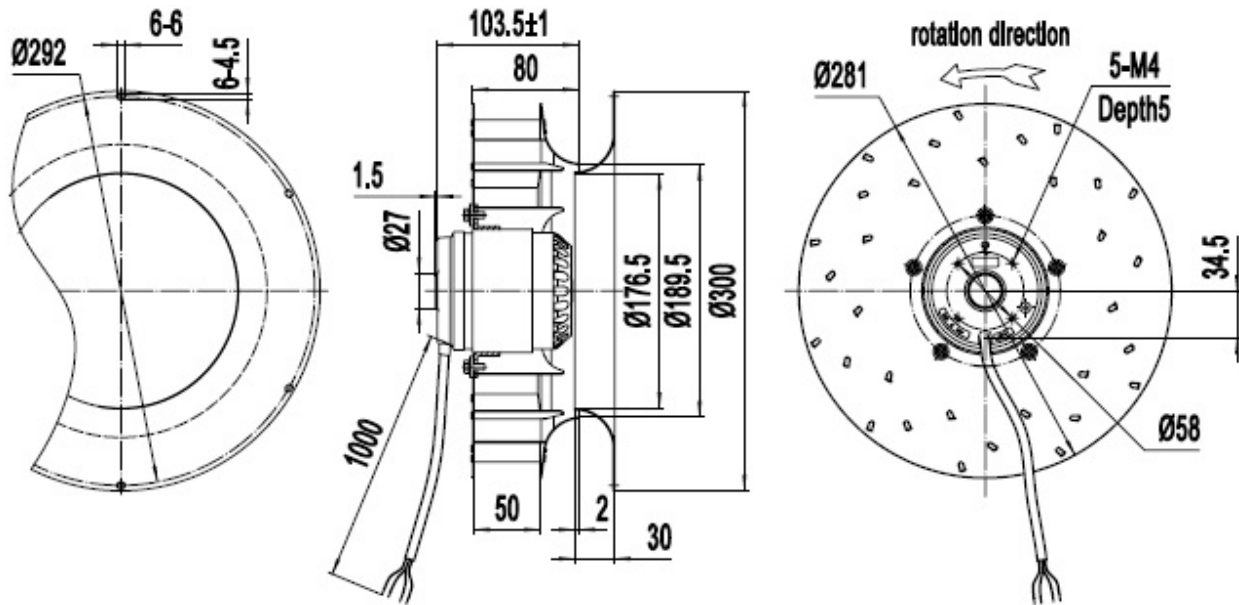
**2016, Brussels**

## Features

| Parameter         | Units             | Specifications                                    |
|-------------------|-------------------|---|
| Wheel Diameter    | mm                | Ø280  |
| Weight            | kg                | 3.8   |
| Phase             | -                 | 1   |
| Nominal Voltage   | VAC               | 220/230   |
| Frequency         | Hz                | 50  |
| Current           | A                 | 1.05  |
| Power Input       | W                 | 240   |
| Speed             | RPM               | 2480  |
| Max. Air Flow     | m <sup>3</sup> /h | 1800  |
| Pressure          | Pa                | 780   |
| Sound Level       | dBA               | 79  |
| Capacitor         | µF                | 8   |
| Bearing           | -                 | Ball bearing                                      |
| Operating Temp.   | °C                | -30 ~+60  |
| Impeller Material | -                 | Steel sheet                                       |
| Rotor Material    | -                 | Aluminum casting                                  |
| Motor Protection  |                   | Thermal overload protector (TOP) wired internally |
| IP Class          | -                 | IP 44   |
| Insulation Class  | -                 | F   |
| Certifications    | -                 | CE  |

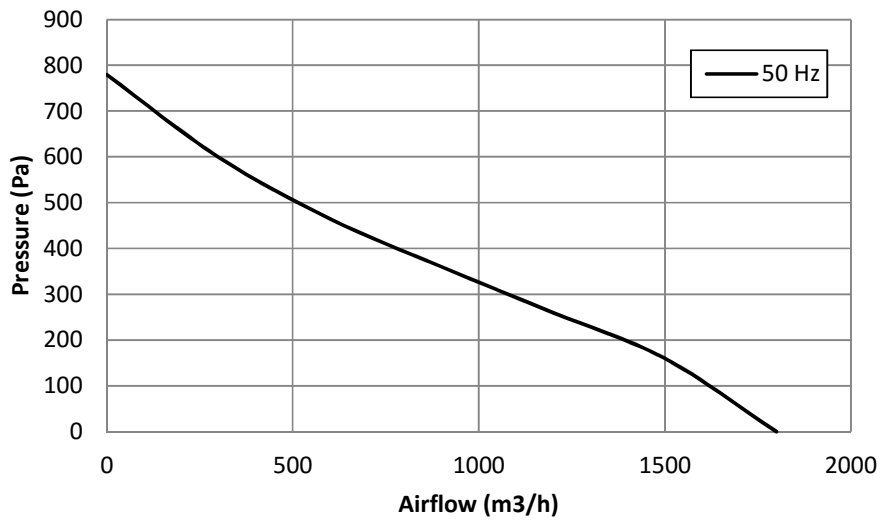
\*: above specifications are subject to change without prior notice

**Dimensions\*\***



\*\*: The inlet ring is not included in the standard scope of delivery.

**Performance**



**Ordering Code:**

| Model             | Part Number | Description                         |
|-------------------|-------------|-------------------------------------|
| FBC280103 23AC 25 | 47B101      | Backward curved AC blower of 280 mm |