

# Technical Document

## FBC 225099 23AC26

PN: 471011

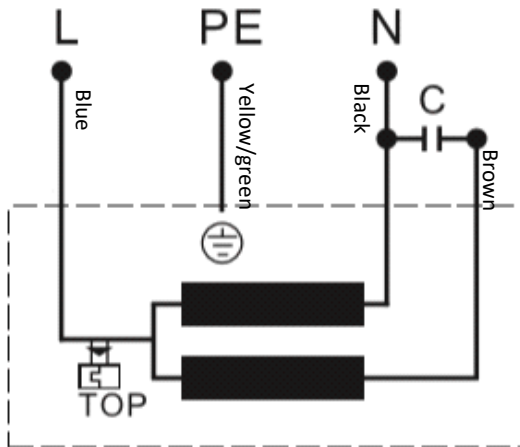
2017, Brussels

## Features

Parameter	Units	Specifications	
Dimensions	mm	Φ225x99	
Weight	kg	2.3	
Nominal Voltage	VAC	230	
Frequency	Hz	50	60
Current	A	0.6	0.74
Power Input	W	131	170
Speed	RPM	2630	2930
Max. Air Flow	m <sup>3</sup> /h	1200	1340
Static Pressure	Pa	540	730
Sound Level	dBA	68	71
Starting Capacitance	μF	4.0/450V	
Motor Life	Hrs	60000	
Withstand Voltage	VAC	1800 (1min. @0.5 mA)	
Insulation Resistance	MΩ	≥ 200 @500VDC between power lead wire and motor housing	
Motor Protection	-	Equipped with automatic recovery thermal protector, thermal temperature cut at 135 °C.	
Life Expectance	hrs.	40000 hrs@40°C, 15%~65%RH	
Operating Temp.	°C	-40 ~ +80	
Storage Temp.	°C	-40 ~ +90	
Operating Humidity	%RH	10 ~ 95	
Storage Humidity	%RH	10 ~95	
Impeller Material	-	PP-GF40 plastic	
Number of Blade	-	7	
Rotation Direction	-	Clockwise, seen on rotor	
Bearing	-	Maintain free NMB ball bearing	
IP Class	-	IP 44	
Insulation Class	-	F	
Certifications	-	CE, RoHS	

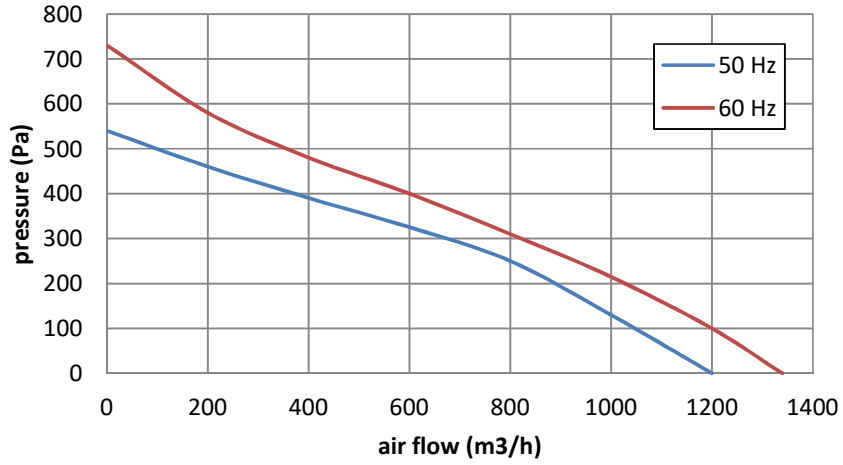
\*: above specifications are subject to change without prior notice

## Electrical Connection

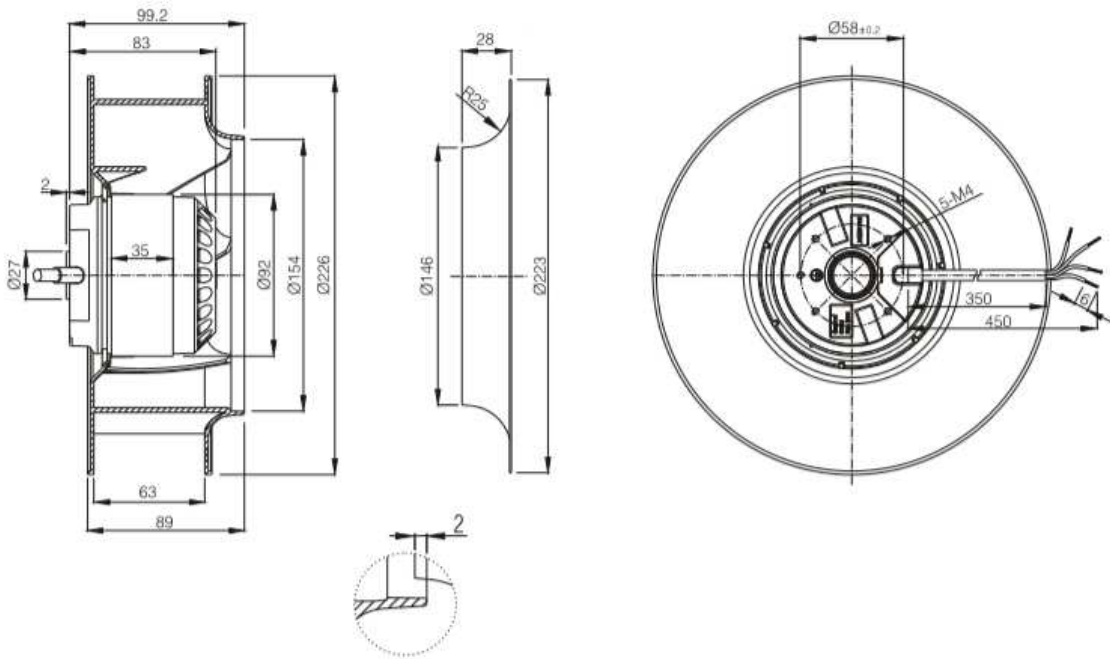


L	Blue	Main power entry wire
N	Black	Neutral power entry wire
PE	Yellow/Green	Earth wire
C		Capacitor

**Performance**



**Dimensions**



**Ordering Code:**

Model	Part Number	Description
FBC225099 23AC26	471011	Backward curved AC blower of 225 mm