

Technical Document

FBC 220071 23AC 25

PN: 479101



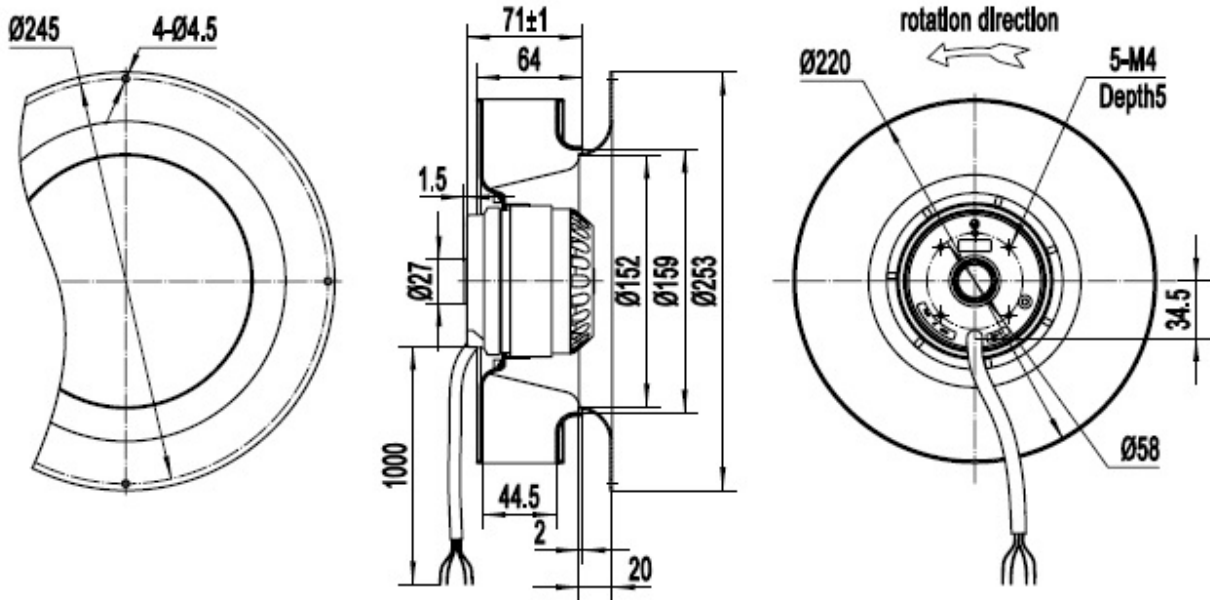
2016, Brussels

Features

Parameter	Units	Specifications
Wheel Diameter	mm	Ø220
Weight	kg	1.75
Phase	-	1
Nominal Voltage	VAC	220/230
Frequency	Hz	50/60
Current	A	0.42/0.53
Power Input	W	100/118
Speed	RPM	2480/2680
Max. Air Flow	m ³ /h	810/900
Sound Level	dBA	70/73
Capacitor	µF	3/3
Operating Temp.	°C	-30 ~+60
Bearing	-	Ball bearing
Impeller Material	-	Plastic PA6
Rotor Material	-	Aluminum casting
Motor Protection		Thermal overload protector (TOP) wired internally
IP Class	-	IP 44
Insulation Class	-	F
Certifications	-	CE

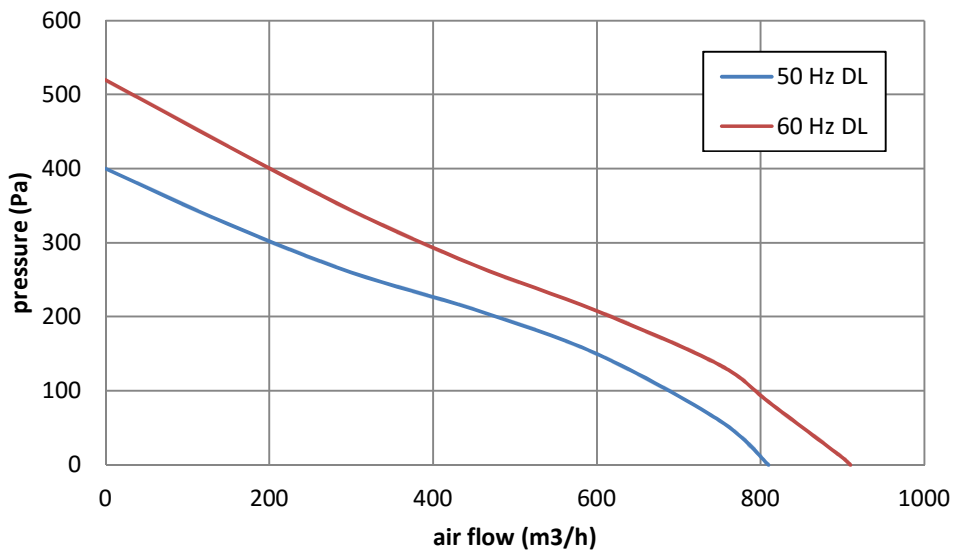
*: above specifications are subject to change without prior notice

Dimensions**



**: The inlet ring is not included in the standard scope of delivery.

Performance



Ordering Code:

Model	Part Number	Description
FBC220071 23AC 25	479101	Backward curved AC blower of 220 mm