

Technical Document

FBC 17568 48DC 31

PN: 477203



2016, Brussels

Features

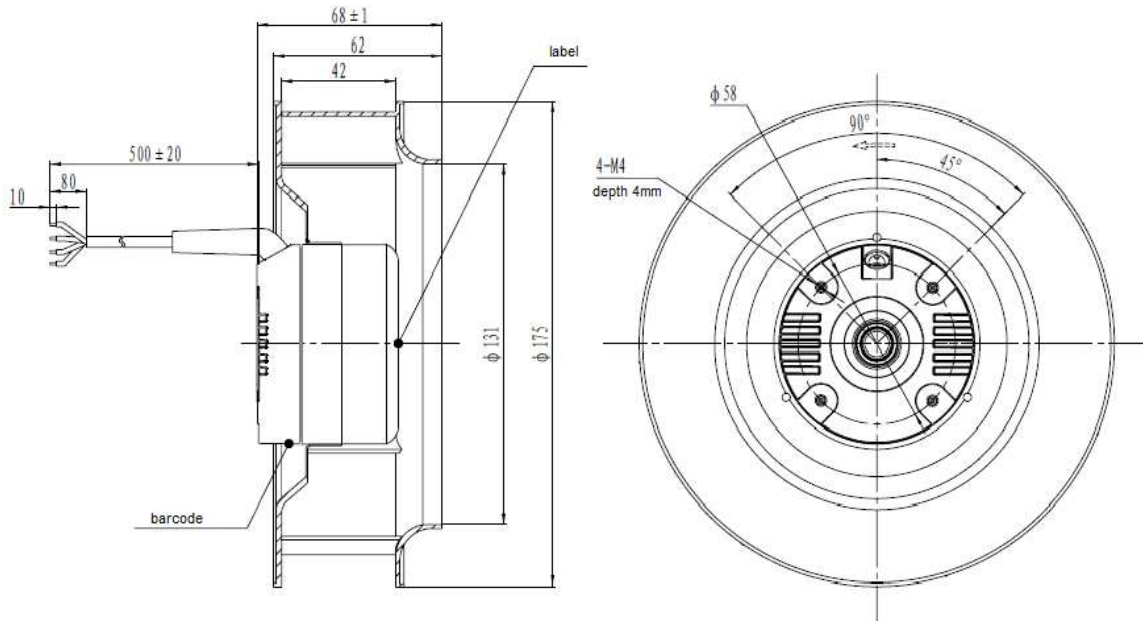
Parameter	Units	Specifications
Dimensions	mm	Φ 175x68
Wheel diameter	mm	Φ 175
Weight	kg	0.75
Phase	-	1
Rated Voltage	VDC	48
Operating Voltage	VDC	36~61
Input Current	A	≤ 0.86
Input Power	W	35
Speed	RPM	3100
Max. Air Flow	m ³ /h	510
Pressure	Pa	350
Sound Level	dB(A)	≤ 64
Operating Temp.	°C	-25 ~ +60
Storage Temp.	°C	-40 ~ +75
Bearing	-	Ball
Impeller Material	-	Plastic PA66 + GF25%
Insulation Class	-	F
Insulation Resistance	-	10 mA maximum at 1200VAC 60Hz, 1 min. between frame and (+) terminal
Dielectric Strength	-	50MOhm min. at 500VDC between frame and (+) terminal
Electrical Protection	-	Locked rotor protection Automatic restart capability Over current Protection Overvoltage Protection
Protection Class	-	IP 42
Other Functions	-	- 0-10V PWM input - tachometer signal output / 2 pulse/rev.
Certifications	-	CE

*: above specifications are subject to change without prior notice

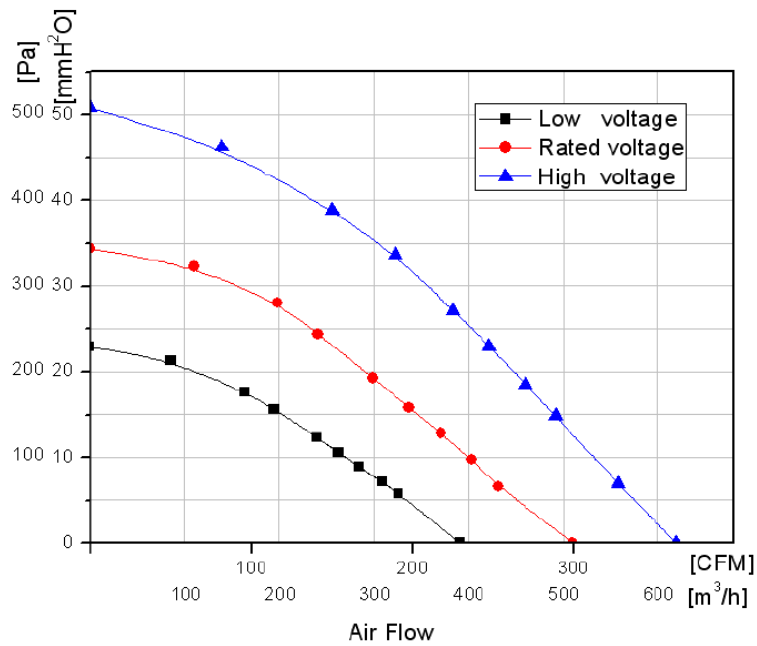
Electrical Connections

Signal	Color	Function/assignment
V++	Red	DC Power for control board
GND	Blue	Ground
0-10V PWM	Yellow	Control input 0-10V PWM
FG	White	Tachometer output: 2 pulse per revolution

Dimensions



Performance



Ordering Code:

Model	Part Number	Description
FBC 17568 48DC 31	477203	DC Backward curved blower with wheel size of 175 mm.