

FBC 13391 DC 31 series

Features

- Backward curved centrifugal fan
- Glass-fibre reinforced propylene housing/wheel
- DC brushless external rotor motor
- Max. ambient temp.: +60 °C
- IP class: IP 44
- Electrical insulation class: B
- Weight: 0.74 kg

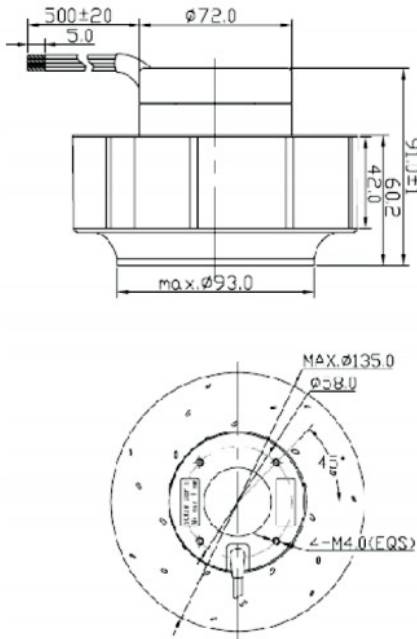


Model	Voltage VDC	Current A	Input Power W	Speed RPM	Airflow cfm	Static pressure mmH ₂ O	Sound level dBA
FBC 13391 24 DC 31	24	0.8	19.2	3100	212	38	63
FBC 13391 48 DC 31	48	0.4	19.2	3100	212	38	63

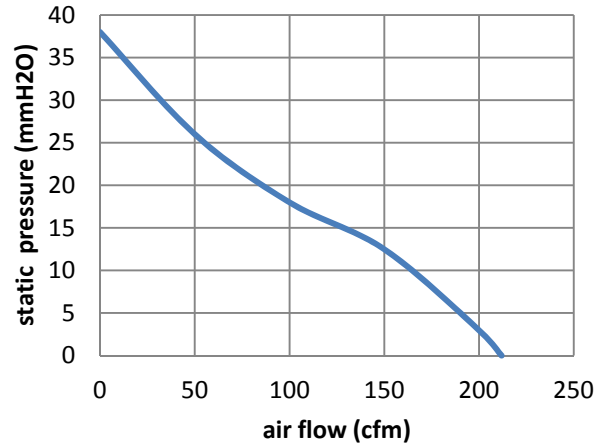
*: above specifications are subject to change without prior notice

**: for non-standard product, contact our sale's team at sales@ventus-sa.com

Dimensions



Performance



Ordering Code:

Fan type	Wheel Dimensions	Voltage (VDC)		motor	Speed	-	Other specs*
		24	48				
Backward curved blower				DC	31	-	/O
FBC	13391	24	48	DC	31	-	/O

*: if the ordered item is not standard fans offered on our website, always put "/O" at the end of the ordering code and specify the project number which is unique for any non-standard products. Sales team will provide this project number together with specs sheet confirmed by both parties.

Example: FBC 13391 24 DC 31