

Technical Document

FBC 13378 23AC 28

PN: 473102



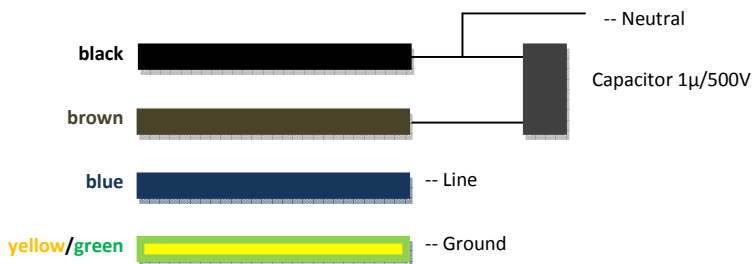
March 25, Brussels

Features

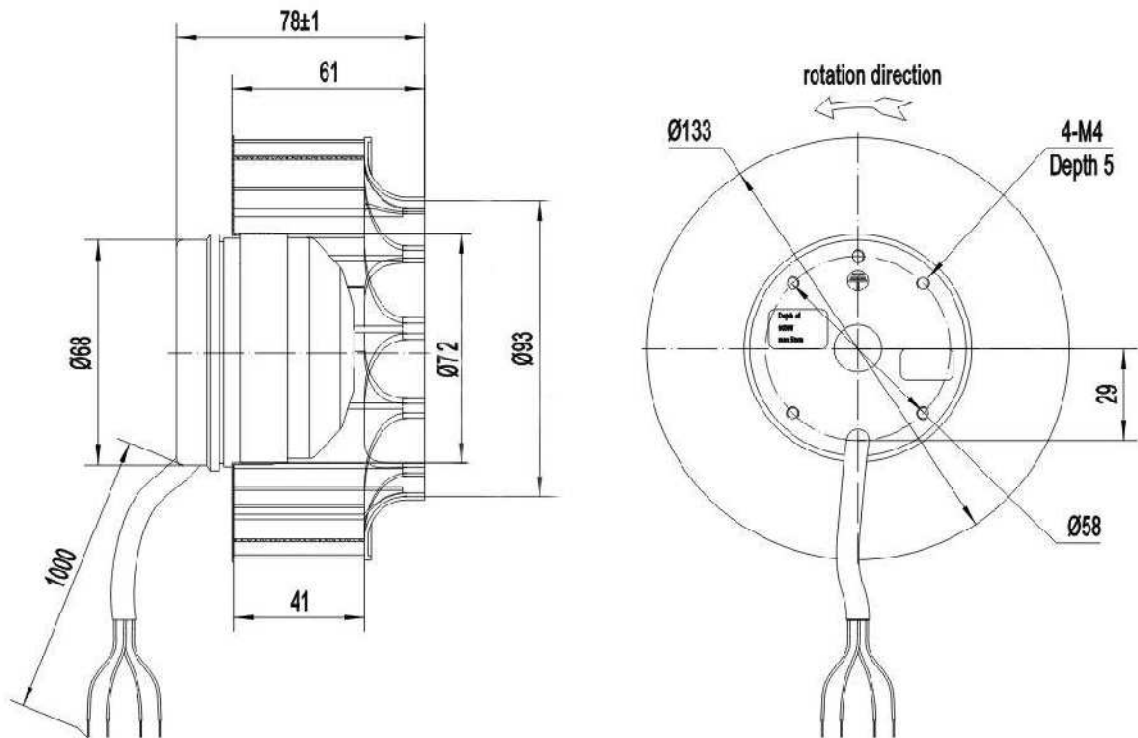
Parameter	Units	Specifications
Dimensions	mm	Φ 133x78
Wheel diameter	mm	Φ 133
Weight	kg	1.2
Phase	-	1
Power Supply	VAC	230
Frequency	Hz	50
Current	A	0.15
Power Input	W	34
Speed	RPM	2800
Max. Air Flow	m ³ /h	285
Pressure	Pa	185
Sound Level	dBA	< 55
Max. Ambient Temp.	°C	60
Capacitor	μF	1μF/450V
Bearing	-	Ball
Impeller Material	-	Plastic PP-G20
Insulation Class	-	F
Protection Class	-	IP 44
Certifications	-	CE

*: above specifications are subject to change without prior notice

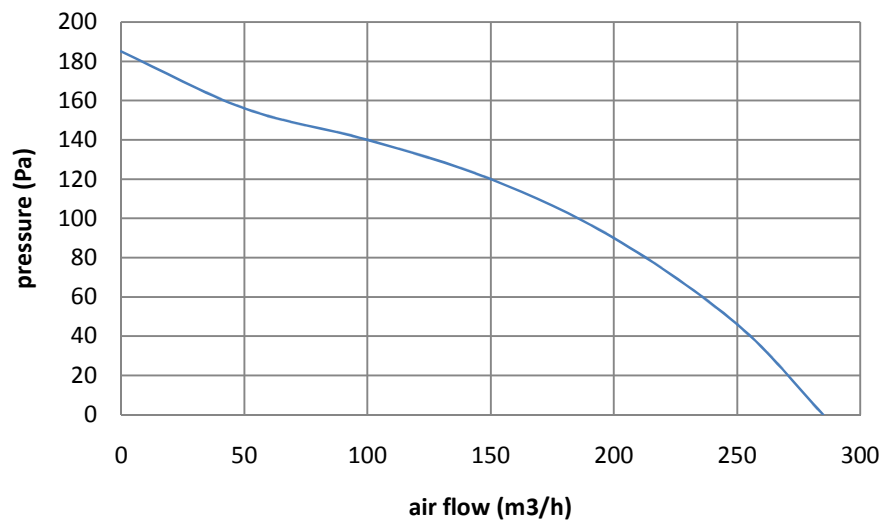
Electrical Diagram



Dimensions



Performance



Ordering Code:

Model	Part Number	Description
FBC 13378 23AC 28	473102	Backward curved blower with wheel size of 133 mm.