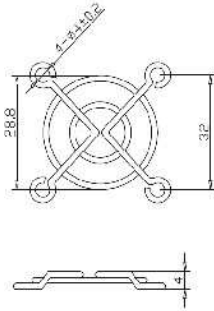


FG Finger Guards

- Material: SWRM6-10
- Nickel chrome plated

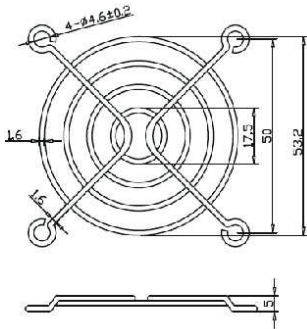
FG 40

compatible with 40x40 fans



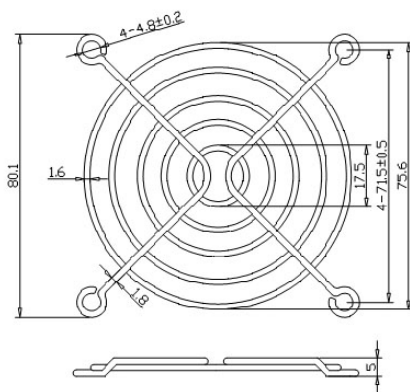
FG 60

compatible with 60x60 fans



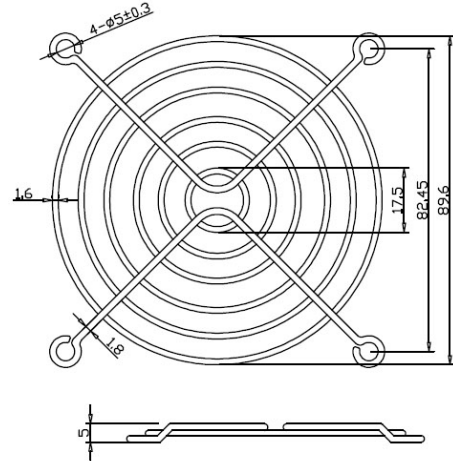
FG 80

compatible with 80x80 fans



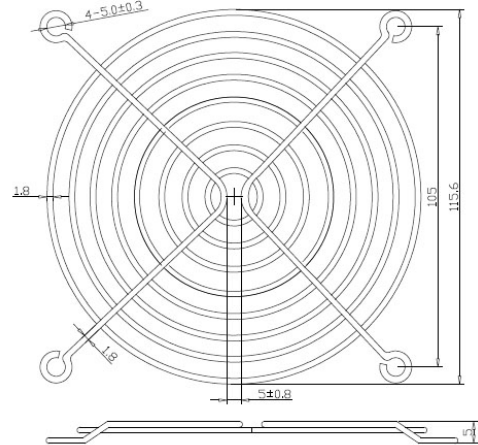
FG 90

compatible with 92x92 fans



FG 120

compatible with 120x120 fans



Ordering Code:

Model	Part Number
FG40	110059
FG60	110060
FG80	110061
FG90	110062
FG120	110056