

## FC 9225 W B 7B series

92x92x25 mm

- magnesium alloy die cast frame
- UL94V-0 plastic impeller
- bearing: ball bearing
- operating temp.: -20~+80 °C
- life time: 60000 hrs@20 °C
- wide voltage range
- electronically commutated motor
- ingress protection: IP 54
- unit weight ~ 181 g
- approval: CE

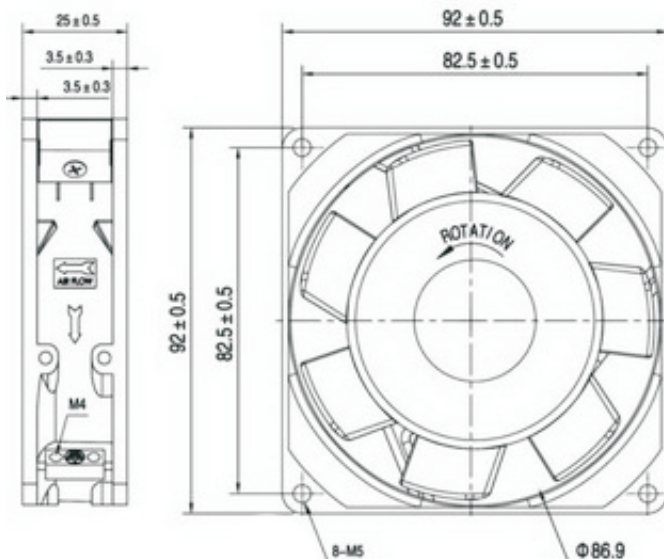


model	voltage VAC	frequency Hz	power W	speed rpm	air flow cfm	static pressure Inch-H2O	sound level dBA
FC 9225 W B 30 7B	90~264	50~60	4	3000	48	0.19	35
FC 9225 W B 35 7B	90~264	50~60	4.5	3500	53	0.23	39
FC 9225 W B 40 7B	90~264	50~60	5	4000	58	0.26	43

\*: Contact Ventus sales team for the product availability with different air flow.

\*\*: Specifications listed above are subject to change without prior notice.

### dimensions



### performance curves

