

Technical Document

FC 1238 23B 38

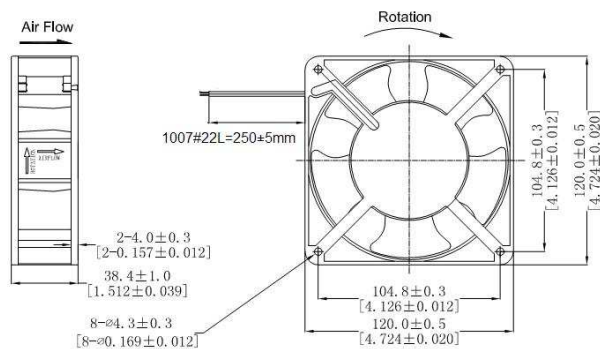
April 2015, Brussels

Features

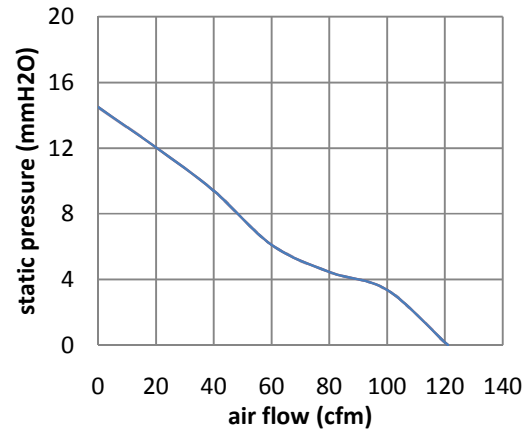
Parameter	Units	Specifications
Dimensions	mm	120x120x38
Weight	gram	500
Supply Voltage	VAC	220
Frequency	Hz	50
Current	A	0.08 ± 10%
Power Input	W	8.0 ± 10%
Speed	RPM	3800 ± 10%
Max. Air Flow	cfm	121.3
Static Pressure	mmHg	14.48
Sound Level	dba	51.5
Operating Temp.	°C	-10 ~ +70
Storage Temp.	°C	-40 ~ +70
Life	hrs@40°C	50000
Bearing	-	Ball bearings
Housing Material	-	PBT UL94V-0
Impeller Material	-	PBT UL94V-0
Electrical connection	-	Lead wires, 250 ± 5 mm
Motor Protection	-	Impedance protected
Certifications	-	CE

*: above specifications are subject to change without prior notice

Dimensions



Performance



Ordering Code:

Model	Part Number	Description
FC 1238 23 B 38-L	200196	EC120x120x38 fan, ball bearings, with lead wires as electrical connection