

## FD 6025 42 series

60x60x25 mm

### Features

- UL 94V-0 thermoplastic frame
- UL 94V-0 thermoplastic impeller
- Ball bearing
- Lead wires
- Polarity protection\*
- Optional functions: FG, RD, PWM
- Operating temp.: -10~+70 °C
- Storage temp.: -40~+70 °C
- 58 g



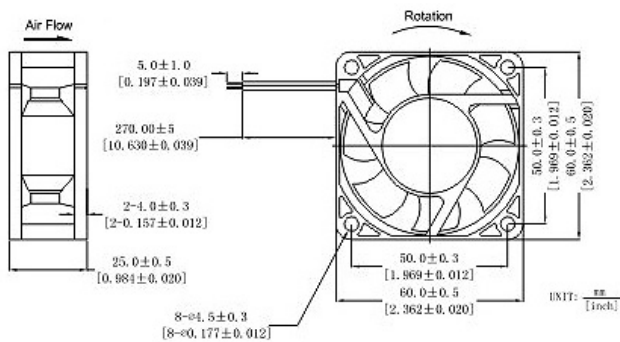
Model	Voltage VDC	Current A	Input Power (W)	Speed RPM	Airflow cfm	Static pressure (mmH2O)	Sound level dBA
FD 6025 12 B 42	12	0.22	2.64	4200	25.79	4.40	35.7
FD 6025 24 B 42	24	0.11	2.64	4200	25.79	4.40	35.7
FD 6025 48 B 42	48	0.05	2.40	4200	25.79	4.40	35.7

\*: Circuit won't be burned within 5seconds when Vcc & GND are exchanged

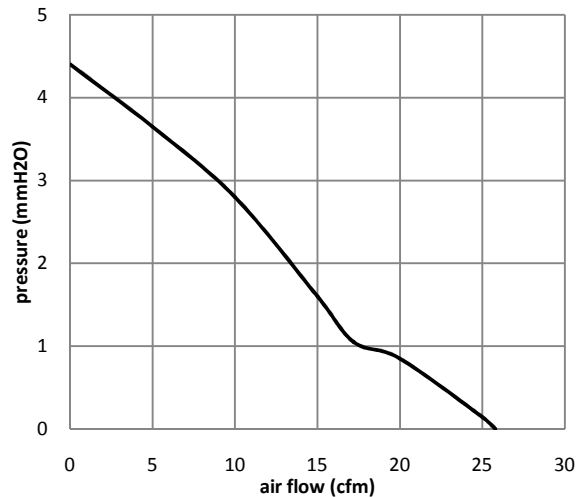
\*\* : above specifications are subject to change without prior notice

\*\*\*: for non-standard product, contact our sale's team at [info@ventus-sa.com](mailto:info@ventus-sa.com)

### Dimensions



### Performance



### Ordering Code:

Fan type	Dimensions	Voltage	Bearing type		Speed	optional			-	Electrical connections		Other specs*
			Ball	sleeve		FG	RD	PWM		Terminals	Lead wires	
FD	6025	12/24/48	B	-	42	T	D	P	-	-	L	/O

\*: if the ordered item is not standard fans offered on our website, always put "/O" at the end of the ordering code and specify the project number which is unique for any non-standard products. Sales team will provide this project number together with specs sheet confirmed by both parties.

Example: FD 6025 24 B 42-L