

## FD 6020 40 series

60x60x20 mm

### Features

- UL 94V-0 thermoplastic frame
- UL 94V-0 thermoplastic impeller
- Ball bearing
- Lead wires
- Polarity protection
- Operating temp.: -10~+70 °C
- Storage temp.: -40~+70 °C
- 50 g

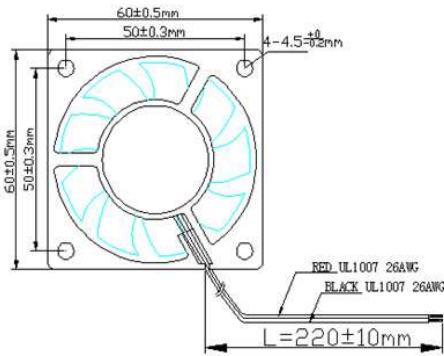


Model	Voltage VDC	Current A	Input Power (W)	Speed RPM	Airflow cfm	Static pressure (mmH2O)	Sound level dBA
FD 6020 05 B 40	5	0.61	3.05	4000	22.32	5.08	32.0
FD 6020 12 B 40	12	0.26	3.12	4000	22.32	5.08	32.0
FD 6020 24 B 40	24	0.13	3.12	4000	22.32	5.08	32.0

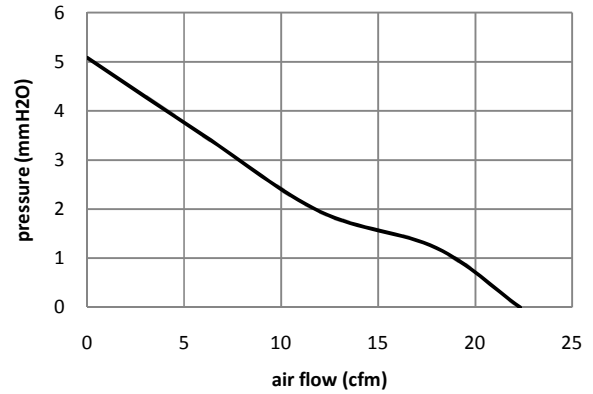
\*: above specifications are subject to change without prior notice

\*\*: for non-standard product, contact our sale's team at [info@ventus-sa.com](mailto:info@ventus-sa.com)

### Dimensions



### Performance



### Ordering Code:

Fan type DC fans	Dimensions	Voltage	Bearing type		Speed	optional			Electrical connections		Other specs*
			Ball	sleeve		FG	RD	PWM	Terminals	Lead wires	
FD	6020	05/12/24	B	-	40	-	-	-	-	L	/O

\*: if the ordered item is not standard fans offered on our website, always put "/O" at the end of the ordering code and specify the project number which is unique for any non-standard products. Sales team will provide this project number together with specs sheet confirmed by both parties.

Example: FD 6020 24 B 40-L