

# Technical Document

## FD 1238V 24 B 45



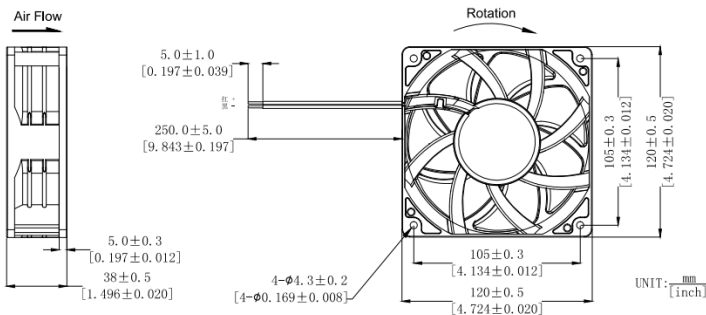
December 2015, Brussels

## Features

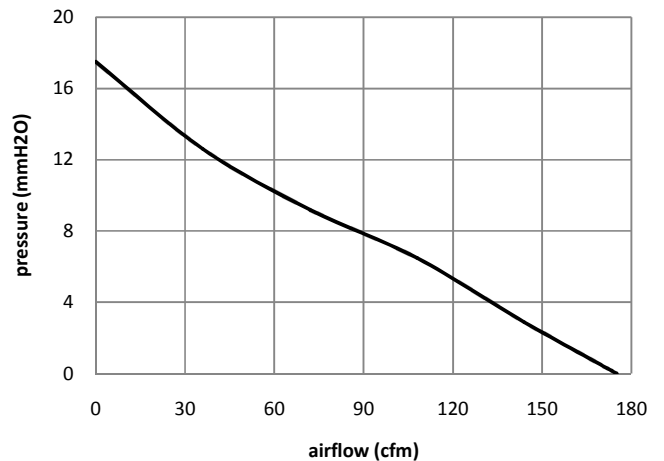
Parameter	Units	Specifications
Dimensions	mm	120x120x38
Weight	gram	268
Power Supply	VDC	24
Current	A	0.6
Power Input	W	14.4
Speed	RPM	4500
Air Flow	cfm	175.0
Static Pressure	mmH <sub>2</sub> O	17.5
Sound Level	dba	58.5
Operating Temp.	°C	-10~+70
Life	hours	50000
Bearing	-	Ball bearing
Housing Material	-	UL 94-0 rating thermoplastic
Impeller Material	-	UL 94-0 rating thermoplastic
Electrical Connection	-	Lead wires (L)
Polarity Protection	-	Open circuit when Vcc and GND are exchanged.
Certifications	-	CE

\*: above specifications are subject to change without prior notice

## Dimensions



## Performance



## Ordering Code:

Model	Part Number	Description
FD1238V 24 B 45	200232	DC120x120x38 fan, 4500 rpm, ball bearing, lead wires