

FA 9238 23 series (92x92x38 mm)

Features

- Die cast Aluminum alloy frame
- UL94V-0 plastic impeller
- Ball bearing or sleeve bearing
- Electrical connections: terminals or lead wires
- Operating temp.: -30~+75 °C (ball bearing)
-10~+70 °C (sleeve bearing)
- Life time: 50000 hrs@20 °C (ball bearing)
30000 hrs@20 °C (sleeve bearing)
- Impedance protection
- Weight: 300 g
- Certificates: CE



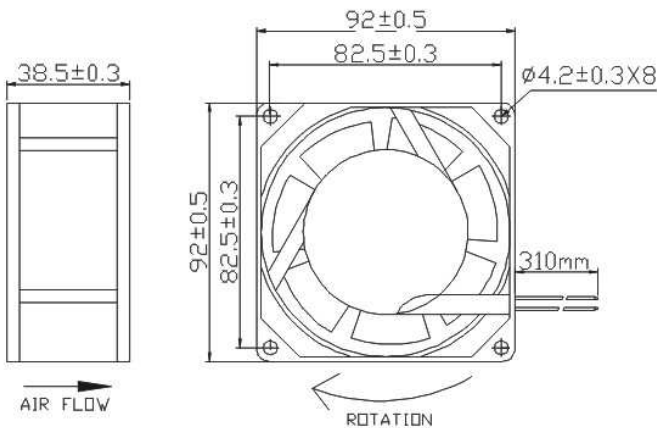
Model	Voltage VAC	Frequency Hz	Current A	Input Power W	Speed RPM	Airflow CFM	Static pressure mmH ₂ O	Sound level dBA
FA 9238 23 # 23	200/240	50	0.10	16	2300	47	5.4	33

#: B for ball bearing and S for sleeve bearing. Refer to the ordering code below.

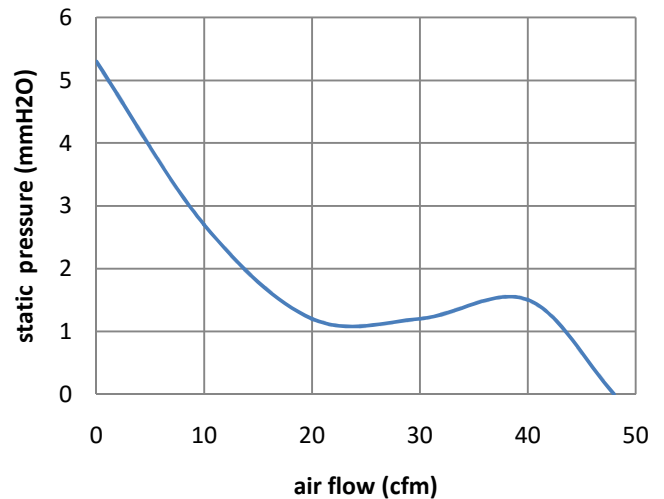
*: above specifications are subject to change without prior notice

** : for non-standard product, contact our sale's team at info@ventus-sa.com

Dimensions



Performance



Ordering Code:

Fan type	Dimensions	Voltage (VAC)	Bearing type		Speed	-	Electrical connections		Other specs*
			Ball	sleeve			Terminals	Lead wires	
AC fans		230							
FA	9238	23	B	S	23	-	C	L	/O

*: if the ordered item is not standard fans offered on our website, always put "/O" at the end of the ordering code and specify the project number which is unique for any non-standard products. Sales team will provide this project number together with specs sheet confirmed by both parties.

Example: FA 9238 23 B 23 -C