

Technical Document

FA 630R220 EX23B6P D



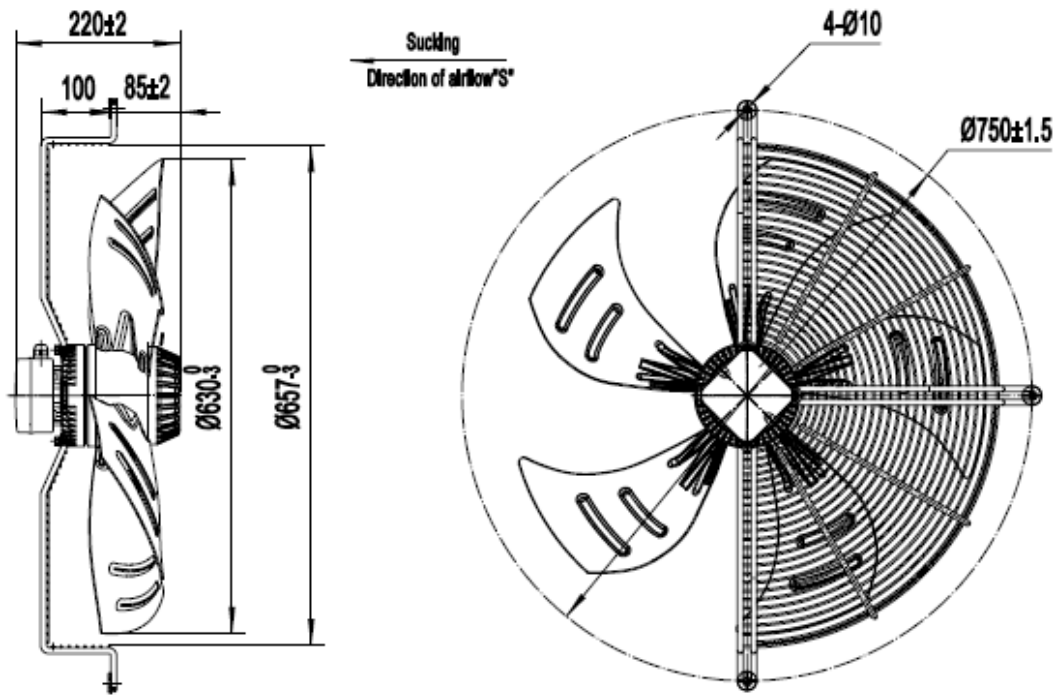
2016, Brussels

Specifications

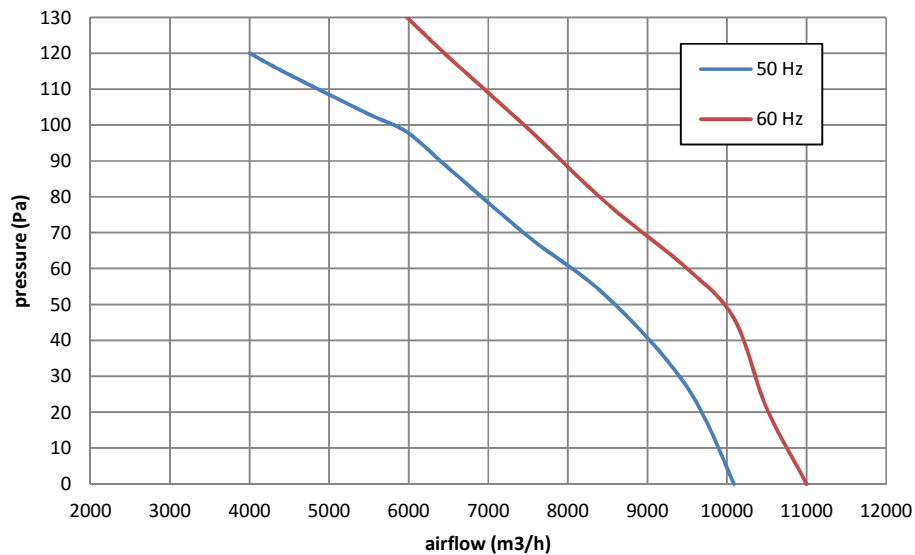
Parameter	Units	Specifications
Dimensions	mm	630x220
Phase	-	1
Power Supply	VAC	220/230
Frequency	Hz	50/60
Current	A	2.2/3.3
Power Input	W	500/700
Speed	RPM	900/1050
Max. Air Flow	m ³ /h	10095/11000
Static Pressure	Pa	120/130
Sound Level	dBA	67/70
Capacitor	μF	10/10
Operating Temp.	°C	-30~+60
Life	hours	20000
Bearing	-	Ball bearing
Impeller Material	-	SPCC steel
Motor Protection	-	Thermally protected
IP Class	-	IP 54
Insulation Class	-	F
Certifications	-	CE
Weight	Kg	15.5

*: above specifications are subject to change without prior notice

Dimensions



Performance



Ordering Code:

Model	Part Number	Description
FA630R220EX23B6P D	220786	External rotor axial fan of 630mm, 6 pole motor, D type guard.