

Technical Document

FA 350R175 EX23B4P D



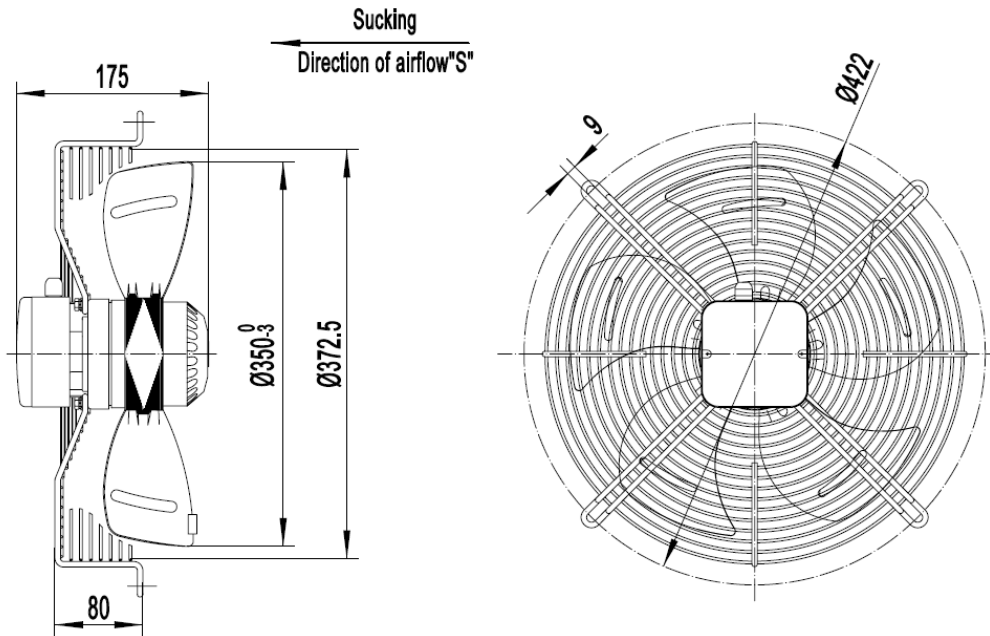
2016, Brussels

Specifications

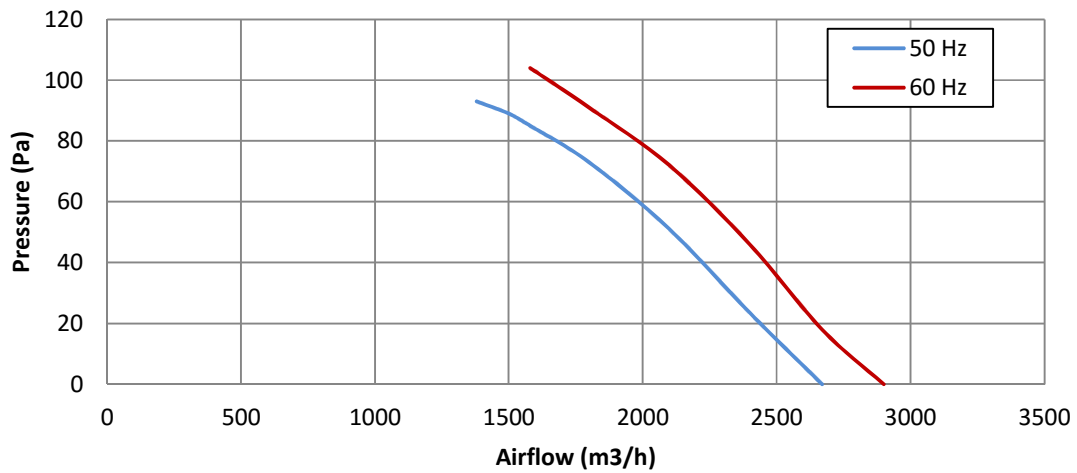
Parameter	Units	Specifications
Dimensions	mm	350x175
Phase	-	1
Power Supply	VAC	220/230
Frequency	Hz	50/60
Current	A	0.60/0.83
Power Input	W	135/190
Speed	RPM	1380/1550
Max. Air Flow	m ³ /h	2670/2900
Static Pressure	Pa	93/104
Sound Level	dB(A)	58/60
Capacitor	μF	4/4
Operating Temp.	°C	-30~+60
Life	hours	20000
Bearing	-	Ball bearing
Impeller Material	-	SPCC steel
Motor Protection	-	Thermally protected
IP Class	-	IP 54
Insulation Class	-	F
Certifications	-	CE
Weight	Kg	5.5

*: above specifications are subject to change without prior notice

Dimensions



Performance



Ordering Code:

Model	Part Number	Description
FA350R175EX23B4P D	220784	External rotor axial fan of 350mm, 4 pole motor, D type guard.