

Technical Document

FA 300R145 EX23B2P D



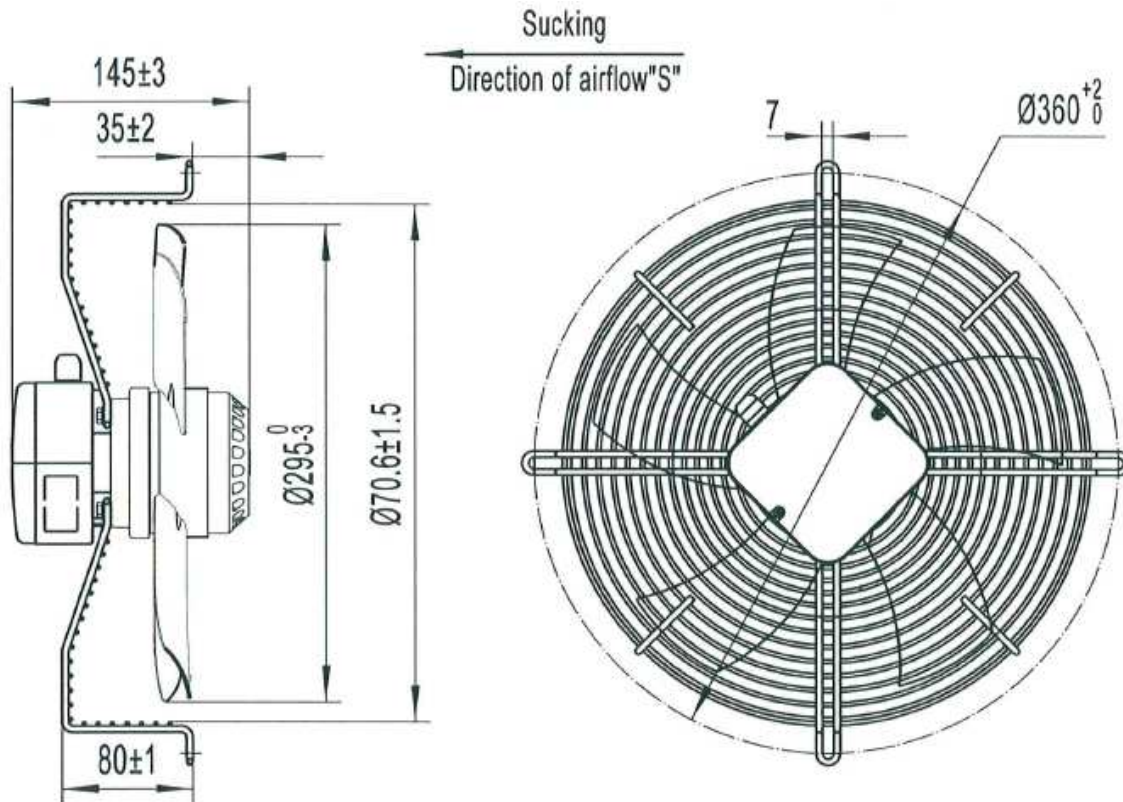
2016, Brussels

Specifications

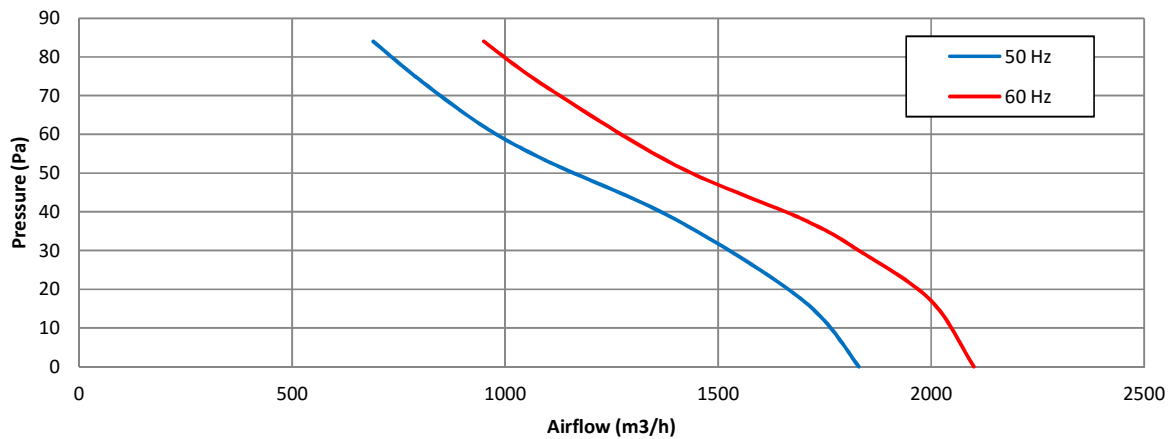
Parameter	Units	Specifications
Dimensions	mm	300x145
Phase	-	1
Power Supply	VAC	220/230
Frequency	Hz	50/60
Current	A	0.55/0.70
Power Input	W	124/155
Speed	RPM	2400/2600
Max. Air Flow	m ³ /h	1800/2100
Static Pressure	Pa	84/84
Sound Level	dB(A)	58/60
Capacitor	µF	4/4
Operating Temp.	°C	-30~+60
Life	hours	20000
Bearing	-	Ball bearing
Impeller Material	-	SPCC steel
Motor Protection	-	Thermally protected
IP Class	-	IP 44
Insulation Class	-	F
Certifications	-	CE
Weight	Kg	3.8

*: above specifications are subject to change without prior notice

Dimensions



Performance



Ordering Code:

Model	Part Number	Description
FA300R145EX23B2PD	220787	External rotor axial fan of 300mm, 2 pole motor, D type guard.