



Technical Document

FA 25489C 23 B 26



2017, Brussels



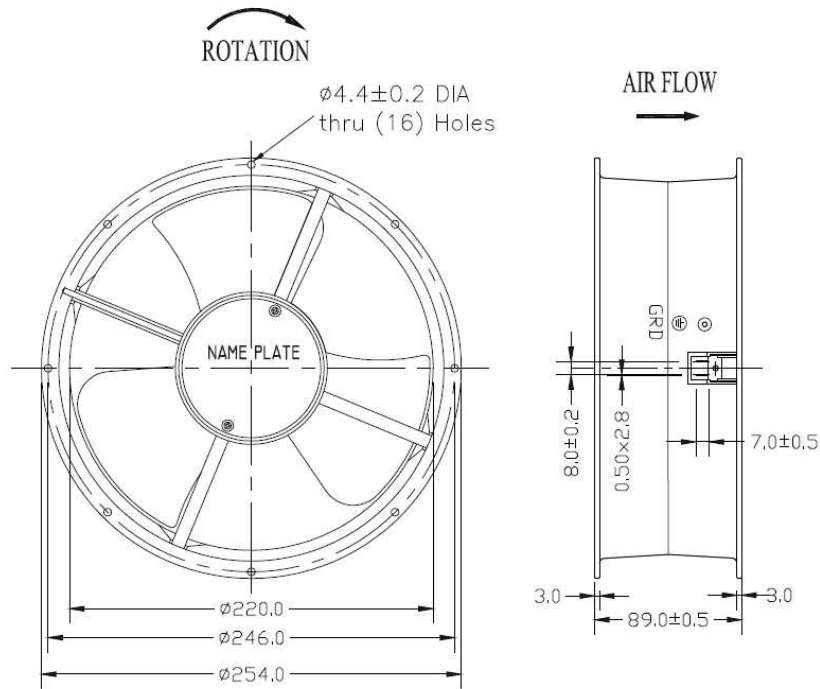
Specifications

Parameter	Units	Specifications
Dimensions	mm	Dia. 254 x 89
Weight	gram	2150
Power Supply	VAC	220 (220~240)
Frequency	Hz	50/60
Rated Current	A	0.40/0.55
Rated Power	W	87/110
Speed	RPM	2600/2800
Max. Air Flow	cfm	780/850
Static Pressure	mmH ₂ O	21/17
Sound Level	dBA	80/88
Operating Temp.	°C	-10~+70
Life	hours	50000
Bearing	-	Ball bearing
Housing Material	-	Aluminum alloy
Impeller Material	-	UL 94-0 rating thermoplastic
Electrical connection	-	Connector (C); Lead wires (L)
Motor	-	Capacitor-run induction motor
Certifications	-	CE

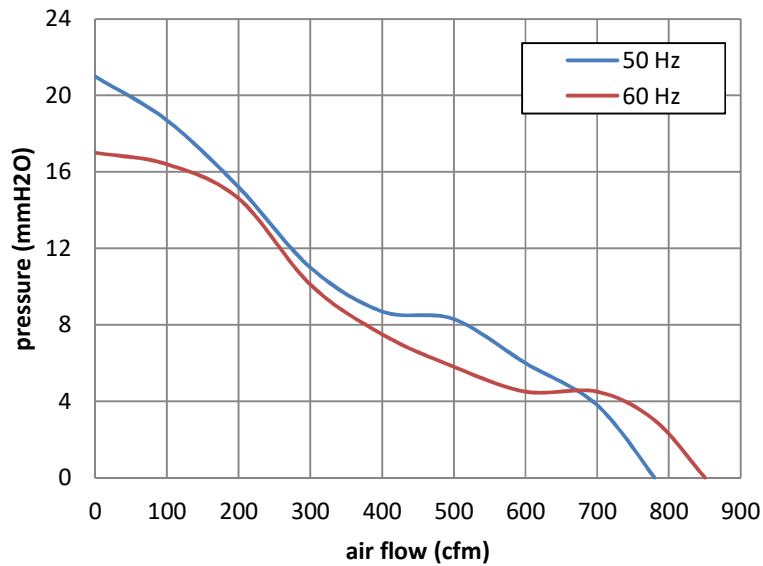
*: above specifications are subject to change without prior notice



Dimensions



Performance



Ordering Code:

Model	Part Number	Description
FA 25489C 23B 26-C	220822	AC 254x89 fan with capacitor-run induction motor, ball bearing, 2600 rpm, connector type
FA 25489C 23B 26-L	220823	AC 254x89 fan with capacitor-run induction motor, ball bearing, 2600 rpm, lead wire type