

FA 2172 29 series (208x208x72 mm)

Features

- Die cast magnesium frame
- UL 94V-0 rating plastic impeller
- Ball bearing
- Electrical connections: Terminals or lead wires
- Operating temp.: -20~+80 °C
- Life time: 60000 hrs@20 °C
- Impedance protection
- Weight: 2110 g
- Certificates: CE

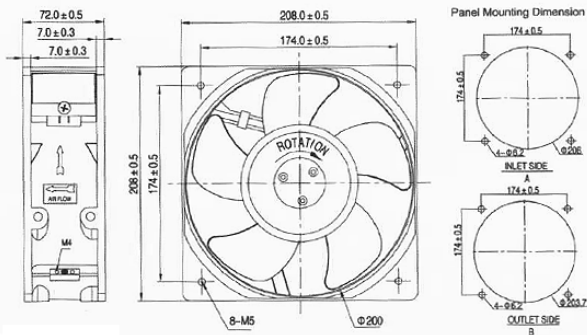


Model	Voltage VAC	Frequency Hz	Current A	Input Power W	Speed RPM	Airflow CFM	Static pressure inH ₂ O	Sound level dBA
FA 2172 11 B 29	110/120	50/60	0.65/0.85	68/97	2900/3200	808/880	0.86/0.73	69/72
FA 2172 23 B 29	220/240	50/60	0.34/0.43	68/97	2900/3300	808/880	0.86/0.73	69/72
FA 2172 38 B 29	380/400	50/60	0.13/0.13	68/97	2900/3300	808/880	0.86/0.73	69/72

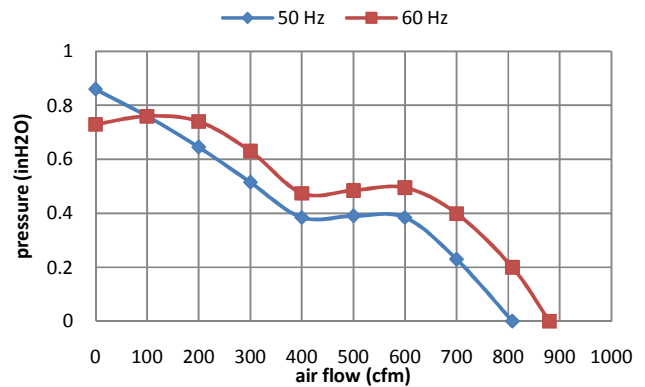
*: above specifications are subject to change without prior notice

** : for non-standard product, contact our sale's team at sales@ventus-sa.com

Dimensions



Performance



Ordering Code:

Fan type	Dimensions	Voltage (VAC)			Bearing type		Speed	optional		-	Electrical connections		Other specs*
		110	230	380	Ball	sleeve		Metal impeller	Tachometer		Terminals	Lead wires	
FA	2172	11	23	38	B	-	29	-	T	-	C	L	/O

*: if the ordered item is not standard fans offered on our website, always put "/O" at the end of the ordering code and specify the project number which is unique for any non-standard products. Sales team will provide this project number together with specs sheet confirmed by both parties.

Example: FA 2172 23 B 29 -L