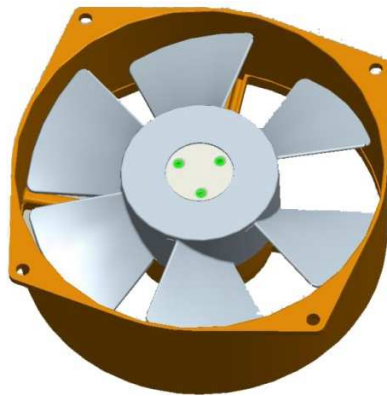




Technical Document

FA 21073C 23 B 28 M



2017, Brussels

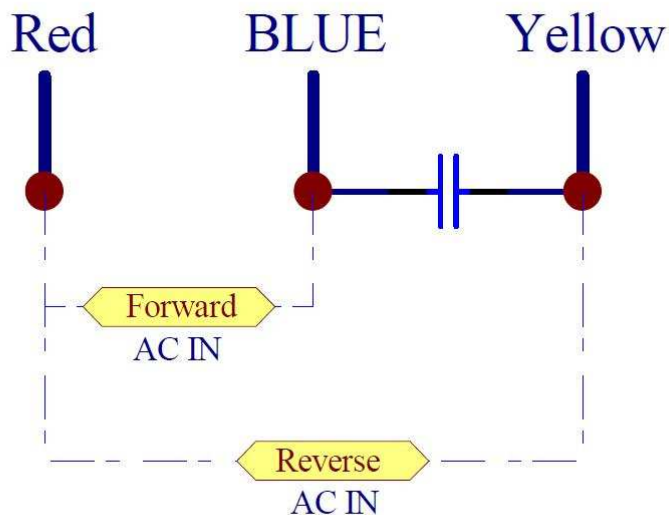


Specifications

Parameter	Units	Specifications
Dimensions	mm	210*206*73
Weight	gram	1350
Power Supply	VAC	220 (200~240)
Frequency	Hz	50/60
Rated Current	A	0.22/0.28
Rated Power	W	45/61
Speed	RPM	2800/3000
Max. Air Flow	cfm	500/535
Static Pressure	inH ₂ O	0.91/0.71
Sound Level	dBA	65/68
Operating Temp.	°C	-50~+70
Storage Temp.	°C	-20~+70
Life	hours@40°C	50000
Bearing	-	Ball bearing
Housing Material	-	Aluminum alloy die-casting frame with powder coating
Impeller Material	-	Magnesium alloy die-casting impeller with ED coating + powder coating
Electrical connection	-	Lead wires (3-wire; 28AWG 1332# 210mm)
Accessories	-	Capacitor CBB20 450VAC 1.5μF
Certifications	-	CE

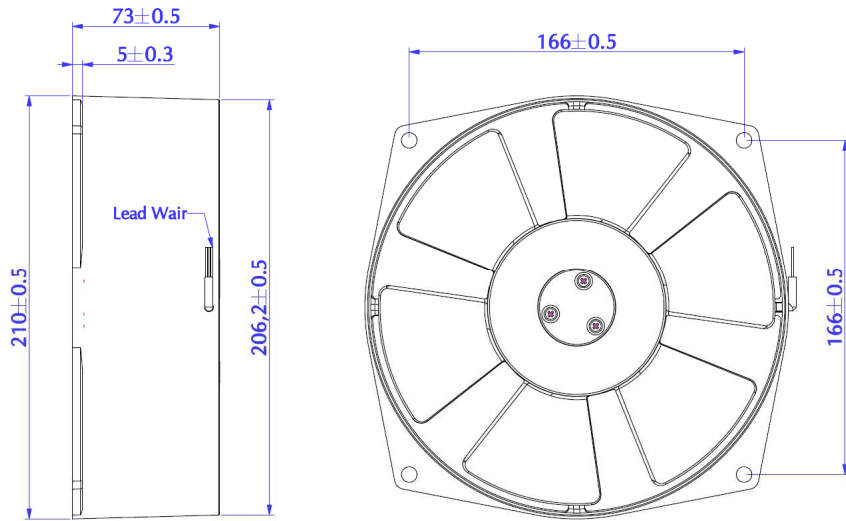
*: above specifications are subject to change without prior notice

Schematic diagram for electrical connection

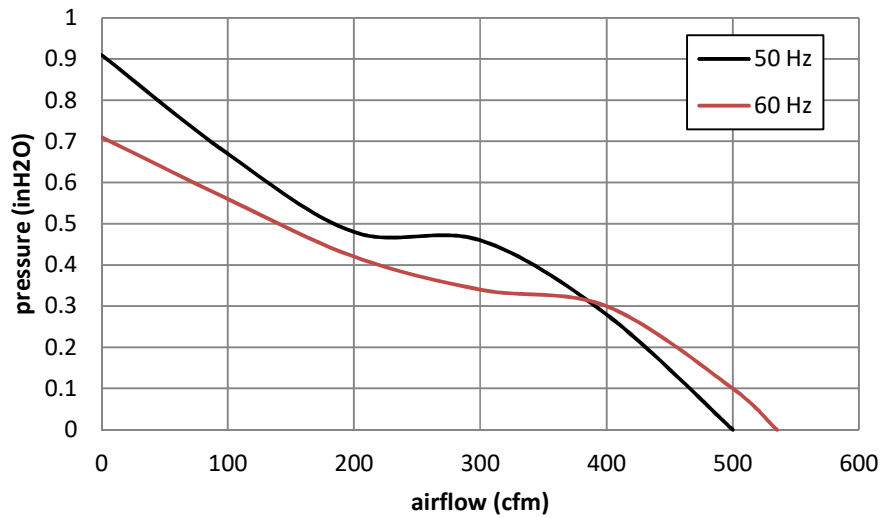




Dimensions



Performance



Ordering Code:

Model	Part Number	Description
FA 21073C 23B 28M	220824	AC 210*206*73 all metal fan with capacitor, ball bearing, 2800 rpm, 3-wire