

FA 1751 26B7 series

(172x150x51 mm)

Features

- Die cast aluminum frame
- UL 94V-0 rating glass fiber reinforced plastic impeller
- Ball bearing or sleeve bearing
- Electrical connections: lead wires (terminals available)
- Operating temp.:
 - -30~+75 °C (ball bearing)
 - -10~+70 °C (sleeve bearing)
- Life time: 30000 – 50000 hours
- Impedance protection
- Weight: 908 g
- Certificates: CE

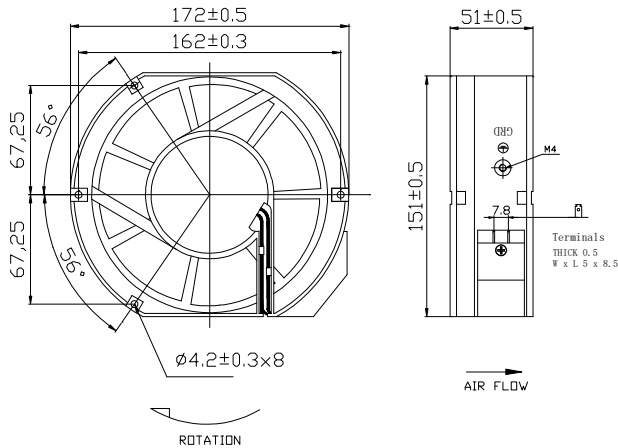


Model	Voltage VAC	Frequency Hz	Current A	Input Power (W)	Speed RPM	Airflow CFM	Static pressure (mmH2O)	Sound level dBA
FA 1751 11 # 27	110/120	50/60	0.50/0.45	37/36	2600/3000	200/245	14.0/16.0	46/52
FA 1751 23 # 27	220/240	50/60	0.22/0.21	34/33	2600/3000	200/245	14.0/16.0	46/52
FA 1751 38 # 27	380	50	0.11	34	2600	200	14.0	46

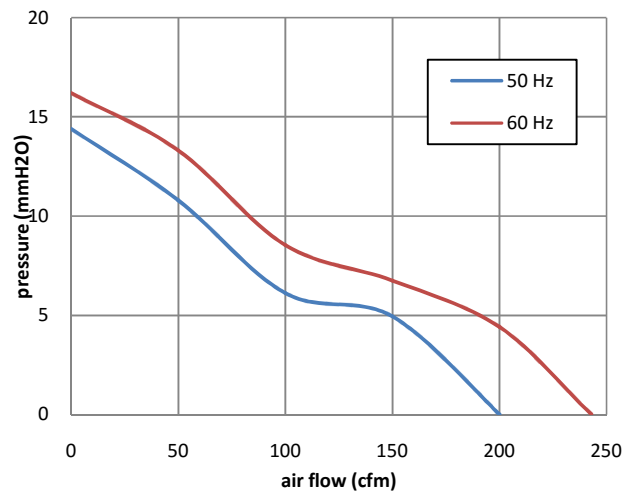
*: above specifications are subject to change without prior notice

** : for non-standard product, contact our sale's team at info@ventus-sa.com

Dimensions



Performance



Ordering Code:

Fan type	Dimensions	Voltage			Bearing type		Speed	Nr. Blade	-	Electrical connections		Other specs*
		110	230	380	Ball	sleeve				Terminals	Lead wires	
FA	1751	11	23	38	B	S	26	B7	-	C	L	/O

*: if the ordered item is not standard fans offered on our website, always put "/O" at the end of the ordering code and specify the project number which is unique for any non-standard products. Sales team will provide this project number together with specs sheet confirmed by both parties.

Example: FA 1751 23 B 26 B7-C