

# Technical Document

## FA 1751 23 B 27 L

220774



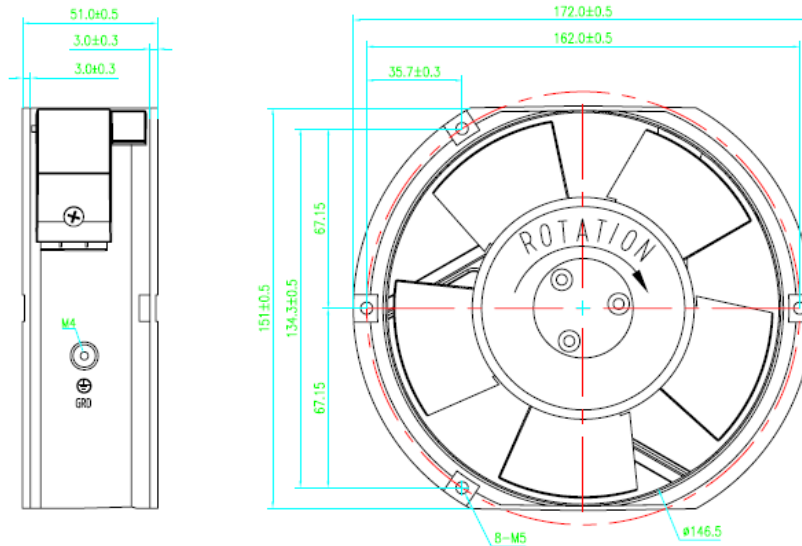
2018, Brussels

## Features

Parameter	Units	Specifications
Dimensions	mm	172x150x51
Weight	gram	908
Power Supply	VAC	220
Operating Voltage	VAC	200~240
Frequency	Hz	50/60
Current (max.)	A	0.30/0.26
Power Input (max.)	W	43/40
Speed	RPM	2700/3100
Air Flow	cfm	190/235
Static Pressure	mmH <sub>2</sub> O	16.0/17.8
Sound Level	dBA	45/50
Operating Temp.	°C	-30~+75
Life	hours	50000 @40°C, <65%RH
Bearing	-	Ball bearing
Housing Material	-	Die cast aluminum
Impeller Material	-	UL 94-0 rating thermoplastic
Electrical Connection	-	Lead wires (L)
Motor Protection	-	Impedance protected
Certifications	-	CE

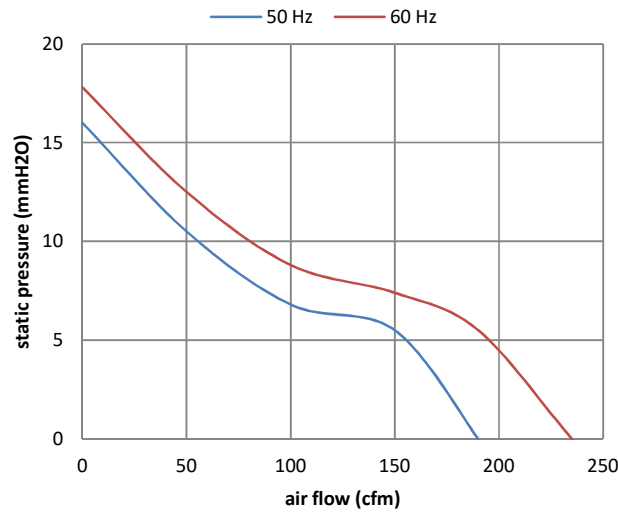
\*: above specifications are subject to change without prior notice

## Dimensions



\*the drawing is for terminal connector type.

## Performance



### Ordering Code:

Model	Part Number	Description
FA 1751 23 B 27 L	220774	AC172x150x51 fan, ball bearing, 2700 rpm, lead wire.