

FA 1665 28M 7B series (160x160x65 mm)

Features

- Die cast magnesium frame
- Die cast magnesium impeller
- Ball bearing
- Electrical connections: Terminals or lead wires
- Operating temp.: -20~+80 °C
- Life time: 60000 hrs@20 °C
- Impedance protection
- Weight: 1130 g
- Certificates: CE

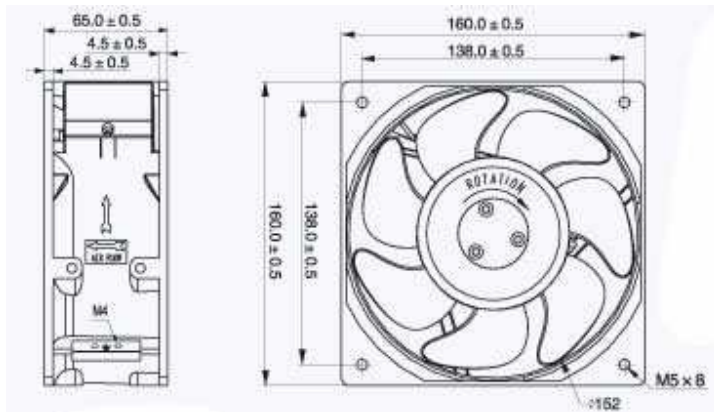


Model	Voltage VAC	Frequency Hz	Current A	Input Power (W)	Speed RPM	Airflow CFM	Static pressure (inH2O)	Sound level dBA
FA 1665 11 B 28M 7B	110/120	50/60	0.31/0.31	32/36	2800/3300	259/302	0.58/0.65	59/63
FA 1665 23 B 28M 7B	220/240	50/60	0.12/0.14	27/33	2800/3300	259/302	0.58/0.65	59/63
FA 1665 38 B 28M 7B	380/400	50/60	0.08/0.09	29/33	2800/3300	259/302	0.58/0.65	59/63

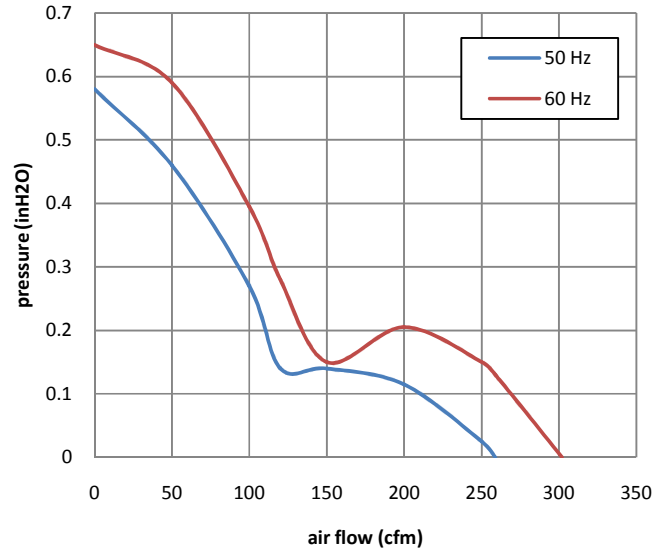
*: above specifications are subject to change without prior notice

** : for non-standard product, contact our sale's team at info@ventus-sa.com

Dimensions



Performance



Ordering Code:

Fan type	Dimensions	Voltage			Bearing type		Speed	Metal impeller	Electrical connections		Other specs*	
		110	230	380(3phase)	Ball	sleeve			Terminals	Lead wires		
FA	1665	11	23	38	B	NA	28	M7B	-	C	L	/O

*: if the ordered item is not standard fans offered on our website, always put "/O" at the end of the ordering code and specify the project number which is unique for any non-standard products. Sales team will provide this project number together with specs sheet confirmed by both parties.

Example: FA 1665 23 B 28M7B-C