

Technical Document

FA 1662C 23 B 28



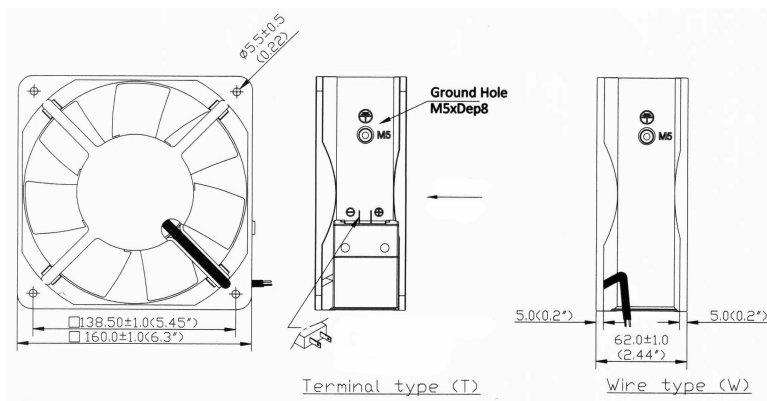
May 2016, Brussels

Features

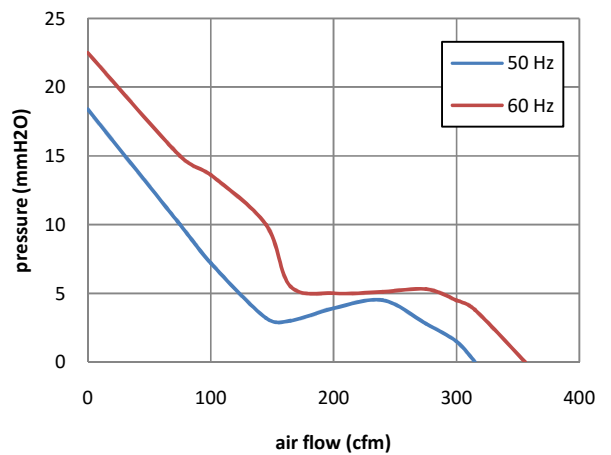
Parameter	Units	Specifications
Dimensions	mm	160x160x62
Weight	gram	1400
Phase	-	1
Power Supply	VAC	220~240
Frequency	Hz	50/60
Current	A	0.25/0.25
Power Input	W	48/55
Speed	RPM	2800/3100
Max. Air Flow	cfm	315/356
Static Pressure	mmH ₂ O	18.4/22.5
Sound Level	dBA	60/64
Operating Temp.	°C	-20~+70
Life	hrs@25°C	60000
Bearing	-	Ball bearing
Housing Material	-	Aluminum alloy
Impeller Material	-	UL 94-0 rating thermoplastic+15%GF
Electrical connection	-	Lead wires (L)
Motor	-	Single phase induction capacitor motor, thermally protected
Certifications	-	CE

*: above specifications are subject to change without prior notice

Dimensions



Performance



Ordering Code:

Model	Part Number	Description
FA1662C23B 28-L	220781	AC160x160x52 fan, ball bearing, with lead wires as electrical connection
FA1662C23B 28-C	220782	AC160x160x52 fan, ball bearing, with terminals as electrical connection