



Technical Document

FA 1551 23 B 27



2017, Brussels



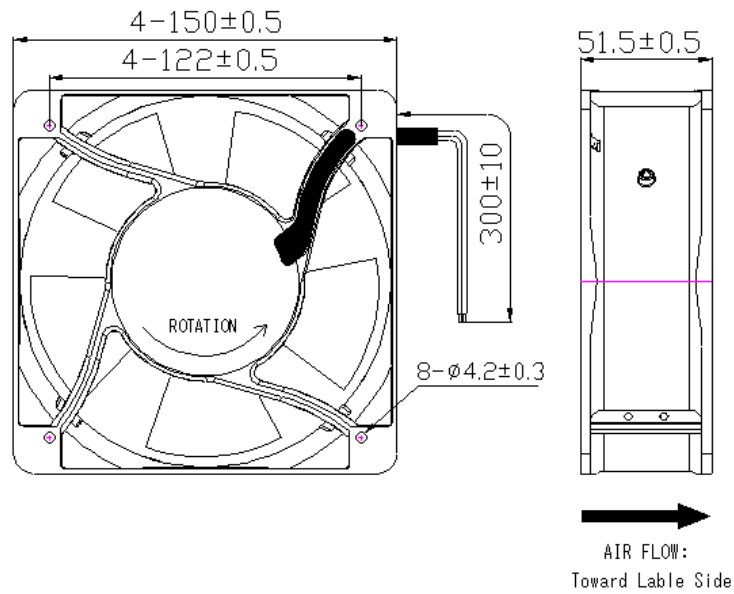
Specifications

Parameter	Units	Specifications
Dimensions	mm	150*150*51
Weight	gram	880
Power Supply	VAC	220 (200~240)
Frequency	Hz	50/60
Rated Current	A	0.28/0.25
Rated Power	W	38/36
Speed	RPM	2700/3000
Max. Air Flow	cfm	185/190
Static Pressure	mmH ₂ O	12/10
Sound Level	dBA	56/58
Operating Temp.	°C	-20~+70
Life	hours@40°C	50000
Bearing	-	Ball bearing
Housing Material	-	Aluminum alloy die-casting frame
Impeller Material	-	Thermoplastic PBT
Electrical Connection	-	Lead wires (UL 1015 AWG# 20; 310 mm)
Motor Protection	-	Impedance protection
Certifications	-	CE

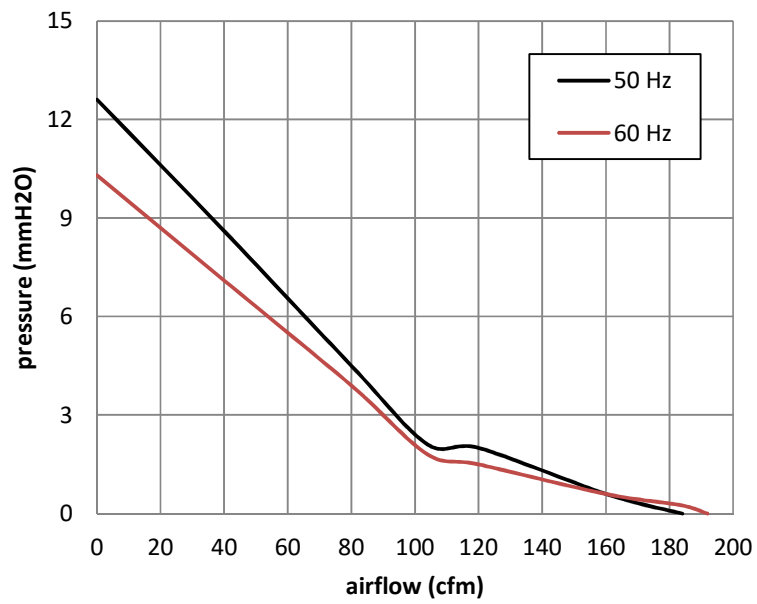
*: above specifications are subject to change without prior notice



Dimensions



Performance



Ordering Code:

Model	Part Number	Description
FA 1551 23B 27	220825	AC 150*150*51 axial fan, ball bearing, 2700 rpm, lead wire