

FA 1238 23# 25 B7 L

(120x120x38 mm)

Features

- Die cast aluminum frame
- UL 94-0 plastic impeller
- Ball bearing or Sleeve bearing
- Electrical connections: lead wires (option: terminals)
- Impedance protection
- Operating temp.: -30~+75 °C
- Life time: 50000 hrs@20 °C
- Weight: 530 g
- Certificates: CE



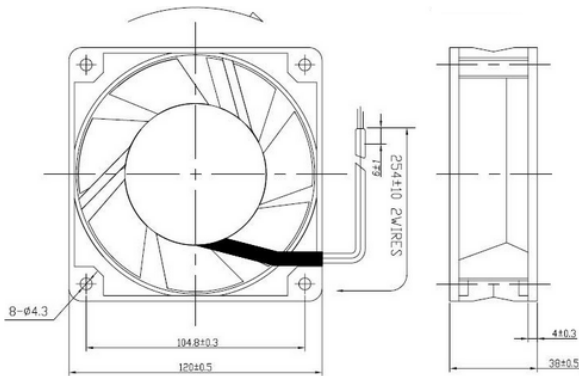
Model	Voltage VAC	Frequency Hz	Current A	Input Power (W)	Speed RPM	Airflow CFM	Static pressure (mmH2O)	Sound level dBA
FA 1238 23 # 25 B7	220	50	0.13	18	2500/2600	90	6.5	43

#: B for ball bearing and S for sleeve bearing. Refer to the ordering code below.

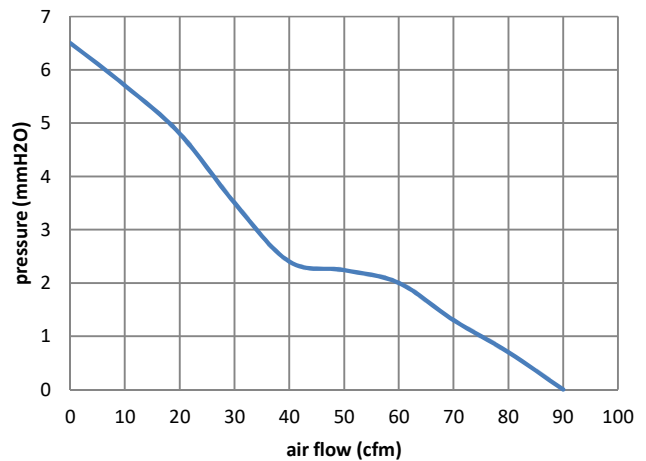
*: above specifications are subject to change without prior notice

**: for non-standard product, contact our sale's team at info@ventus-sa.com

Dimensions



Performance



Ordering Code:

Fan type	Dimensions	Voltage	Bearing type		Speed	blade	-	Electrical connections		Other specs*
			Ball	sleeve				Terminals	Lead wires	
AC fans	1238	23	B	S	25	B7	-	-	L	/O

*: if the ordered item is not standard fans offered on our website, always put "/O" at the end of the ordering code and specify the project number which is unique for any non-standard products. Sales team will provide this project number together with specs sheet confirmed by both parties.

Example: FA 1238 23 B 25B7-L